



Proseers



Quality Laboratory Water Solution



QINGDAO INNOVA BIO-MEDITECH CO., LTD





About Us

Innova Bio-Meditech is one of the leading global providers of laboratory and medical devices. Firmly committed to our mission of “sharing innovative bio-meditech solutions with the world”, we are dedicated to innovation in the fields of Biology Project, Life Science, Pharmacy Industry and Medical Treatment.

Innova Bio-Meditech possesses a sound distribution and service network with business partners in North and Latin America, Europe, Africa and Asia-Pacific etc. We have built up a well established R&D, manufacture network with 3 centers in Beijing, Qingdao, and Shanghai. Inspired by the needs of our customers, we adopt advanced technologies and transform them into accessible innovation. This means constant effort and research, in order to more fully understand the developments of the market, produce constantly upgraded product ranges by adding new products year after year.

The passion for science



Content

Knowledge about water 01

Water system selection guide 02

Technical advantages 03

Nova EU10/Nova EU15/Nova EU20 16 **NOVA-SMART**
All-in-one system, Type I & Type II water

Nova E10/Nova E15/Nova E20 17
Type II pure water

Nova U 18
Type I ultra purified water

Nova Zero-ion 20 **NOVA-ZERO-ION**
ppt or sub-ppt ultra purified water

Performa EU10/Performa EU15/Performa EU20 22 **PERFORMA**
All-in-one system, Type I & Type II water

Performa E10/Performa E15/Performa E20 23
Type II high purified water

Performa U 24
Type I ultra purified water

Classic DU15/Classic DU20/Classic DU25 26 **CLASSIC**
All-in-one system, Type I & Type II water

Classic D15/Classic D20/Classic D25 27
Type II high purified water

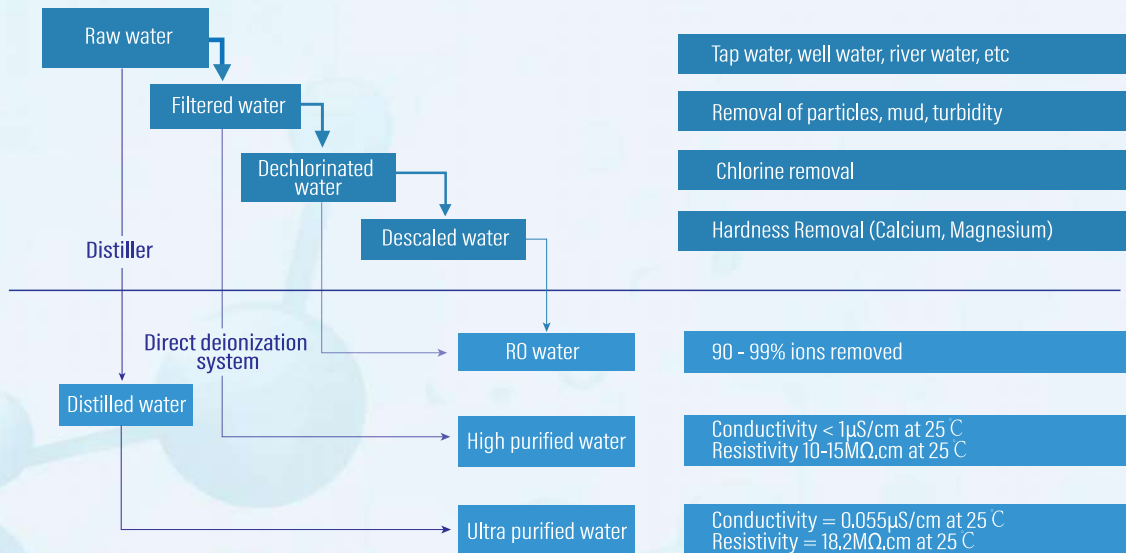
Noble E60/Noble E100 29 **NOBLE**
Type II high purified water

Noble EU60/Noble EU100 30
All-in-one system, Type I & Type II water

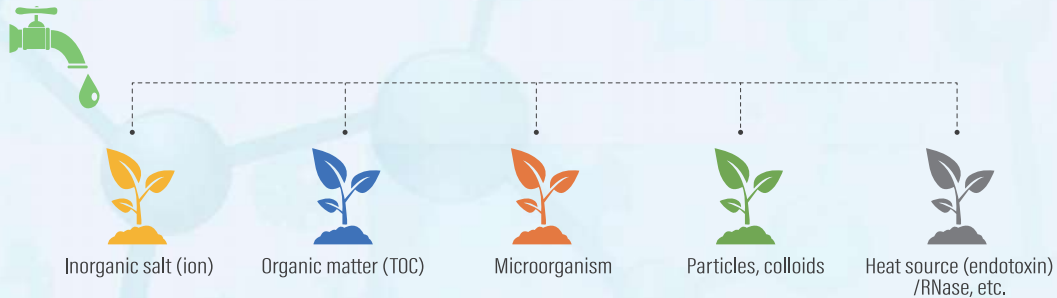
Nova C300/Nova C500/ 32 **TITAN**
Central Type II high purified water
Upgraded Type I ultra purified water for optional

Classic C300/Classic C500 32
Central Type II high purified water
Upgraded Type I ultra purified water for optional

Water purification phase



Pollutants in water



◉ Inorganic salt (ion)

Interfering element analysis experiments, such as: titration experiments, IC, AA, ICP-MS (ten times lower than the detection limit), affecting cell culture and other biochemical and molecular biology experiments: cadmium is still toxic to cells at a concentration of 0.1ppb, Generate scale or crystals

◉ Organic matter (TOC)

Encapsulate ion exchange resin, affect cell growth, interfere with HPLC (background, miscellaneous peaks...), nutrients for microbial growth, and generally affect molecular biology experiments

◉ Microorganism

Affect biological and molecular biology experiments such as cell culture experiments

◉ Particles, colloids

Block filters, disperse light, provide food and carriers for microorganisms

◉ Heat source (endotoxin)/RNase, etc.

Cell culture and molecular biology will be affected

◉ Gas:

The water also contains gas, but it has a very small impact on the experiment, and has a certain impact on individual optical experiments.

Purification Technology

Pollutants	UF	AC+SPC	RO	DI	EDI	UV	UP	Distilled water
Ion	■	■	■	□	□	■	■	□
TOC	■	□	■	■	■	■	■	□
Particles, colloids	■	■	■	■	■	■	□	□
Bacteria, Endotoxin/RNase	■	■	■	■	■	■	□	□
Gas	■	■	■	■	■	■	■	□

Legend: ■ No removal, □ Removed all

DI-Resin RO-Reverse osmosis UF-Ultrafiltration UP-Ultra purification
 AC-Activated carbon SPC-Silicon phosphate crystal UV-Dual wave UV lamp EDI-Electrodeionization

Water system selection guide

Water Type	Application	Series
ASTM D1193 Type II water European pharmacopoeia purified water Japanese pharmacopoeia purified water ISO 3696 Grade 2 water JIS K 0577 A3 water Clinical Laboratory Reagent Water (CLSI)	Preparation of the buffer solution, microbial medium and reagents Cleaning materials (dishwasher), autoclave sterilizer, greenhouse Atomic absorption (depending on the resolution) Water peer crops Chemical industry (pure water) Pharmaceutical and cosmetic industry (purified water according to USP) Veterinary laboratory (purified water according to USP) Clinical analysis Salt fog room Climate room	All-in-one system Nova series: Nova EU10/EU15/EU20 Performa series: Performa EU10 Performa EU15/EU20 Classic series: Classic DU15/DU20/DU25 Noble series: Noble EU60/EU100 Type II high purified water system Performa series: Performa E10/E15/E20 Classic series: Classic D15/D20/D25 Noble series: Noble E60/E100
ASTM D1193 Type I water, Grade B European pharmacopoeia purified water in bulk Japanese pharmacopoeia purified water ISO 3696 Grade 1 water JIS K 0577 A4 water	Atomic absorption / ICP Molecular biology HPLC PCR Ion chromatography Cell cultures GC-MS DNA sequencing	All-in-one system Nova series: Nova EU10/EU15/EU20 Performa series: Performa EU10 Performa EU15/EU20 Classic series: Classic DU15/DU20/DU25 Noble series: Noble EU60/EU100 Type I ultra purified water system Nova series: Nova U Performa series: Performa U
ASTM D1193 Type II water European pharmacopoeia purified water Japanese pharmacopoeia purified water ISO 3696 Grade 2 water JIS K 0577 A3 water	Quality laboratory purified feed water distributed by building pipeline Upgraded Type I ultra purified water for optional	Titan series central high purified water system Nova C300, Nova C500 Classic C300, Classic C500

Standard Specification for the American Society of Testing and Materials (ASTM) D1193-91 reagent grade water

Parameters	Type I*	Type II**	Type III***	Type IV
Maximum conductivity (μS/cm at 25 °C)	0.056	1	4	5
Resistance: Electrical Min. (MΩ.cm at 25 °C)	18	1	0.25	0.2
PH at 25 °C	—	—	—	5-8
Maximum TOC (μg/L)	10	50	200	No restriction
Maximum sodium (μg/L)	1	5	10	50
Maximum silica (μg/L)	3	3	500	No restriction
Maximum chlorine (μg/L)	1	5	10	50

* A membrane filter of 0.2 micron is required **Prepared by distillation ***Requires a membrane filter of 0.45μm

2006 CLSI Specification for Reagent Laboratory Water

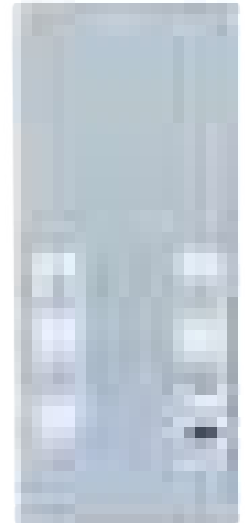
Water Type	CLSI Specifications
CLRW (Clinical laboratory reagent water)	Maximum microbial content (CFU/mL) <10 Minimum resistivity 10 MΩ-cm, 25°C Free of particulates >0.22 μm Organic materials (TOC) <500 ppb

Pretreatment module

Pretreatment module is device to pre filter tap water before it goes to main system. Depends on the quality of inlet water, service life can reach 2-3 years.

When working, inlet water will pass through the microfiltration composite filter cartridge and out from filtered water outlet.

Low inlet pressure limit, can cover the vast majority of users inlet pressure; no external booster pump, de-organized carbon tank; no need to flush, due for replacement.



Module inside & Microfiltration cartridge



Microfiltration cartridge



Water leakage detection-solenoid valve

Microfiltration cartridge

Based on the advanced membrane separation principle, it is made of high-precision exclusive customized PRE cartridge. With unique pore size structure, its pore size range is usually between 0.1 - 10 microns, which can effectively intercept all kinds of impurities in water. Effectively removes sediment, rust and other large particles, colloids and free chlorine.

Solenoid valve

The water leakage detection solenoid valve is placed inside the pretreatment module and is controlled by the host; when water leakage is detected and lasts for 2 seconds, the solenoid valve cuts off the pretreatment water inlet.

Feed water requirements

The quality of feed water will affect directly the quality of purified water and service life of equipment, if the tap water contains a high rate of hardness that do not meet the requirements, please use salt softener to remove calcium ions and magnesium ion in advance.

Three main purification cartridges

Purification cartridges

Pre-guard cartridge A

Filled with high-quality coconut shell activated carbon to effectively remove residual chlorine, macromolecular organics, colloids and heavy metal ions, etc.

Pre-guard cartridge B

Filled with an appropriate amount of silicon phosphorus crystals to effectively reduce the hardness of feed water. Filled with wire wound filter elements to retain powder and floc impurities.

Ultra purification cartridge B

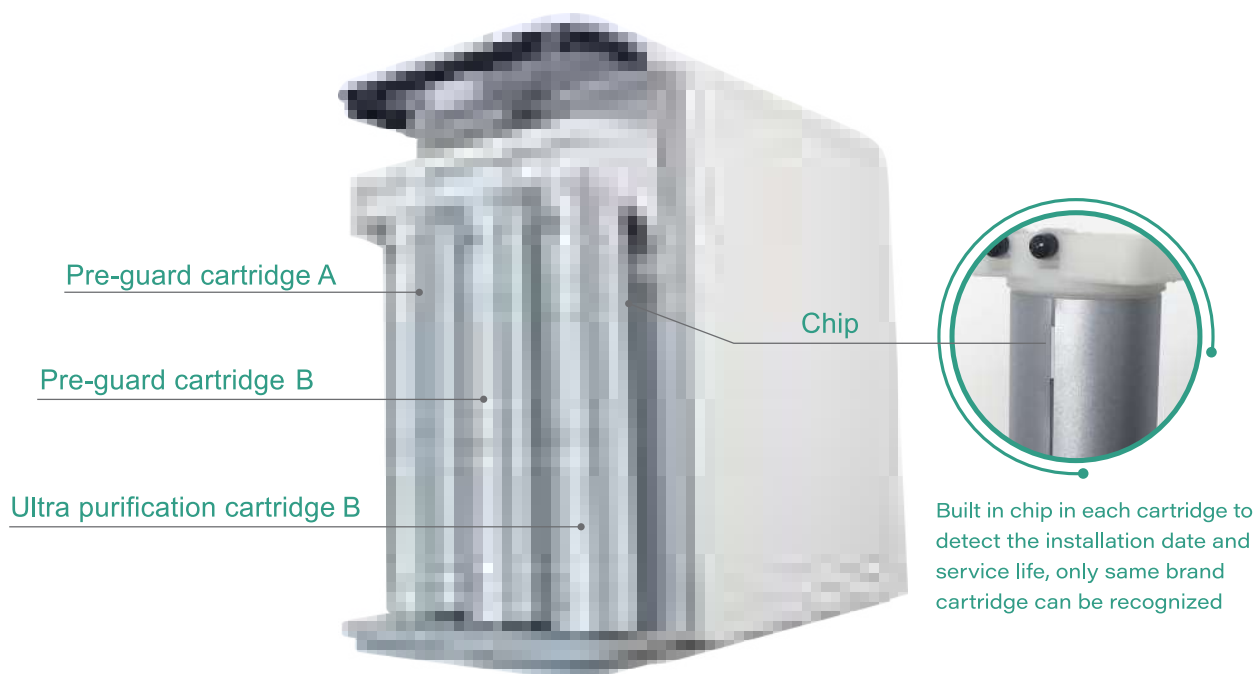
Filled with electronic grade ion exchange resin, the ions in the water are controlled at ultra-trace levels. Advanced vertical flow purification method is adopted to ensure the service life and purification effect of purification cartridge, and reduce the use cost.

Ultra purification cartridge A (optional)

Suitable for organic analysis experiments. Filled with electronic grade ion exchange resin and medical grade artificial activated carbon, the ions and organic matter are controlled at ultra trace level. Advanced vertical flow purification method is adopted to ensure the service life and purification effect of purification cartridge, and reduce the use cost.

How to detect the water quality ?

— Conductivity sensors equipped in four places to detect the water quality.



Rapid installation of cartridges

—The Assembly and disassembly of cartridges is super easy, remove the cap and place it where it should be.



Working capacity

- Pre-guard cartridge A—25000L
- Pre-guard cartridge B—25000L
- Ultra purification cartridge B—15000L
- Ultra purification cartridge A (optional)—15000L



Two-stage RO module



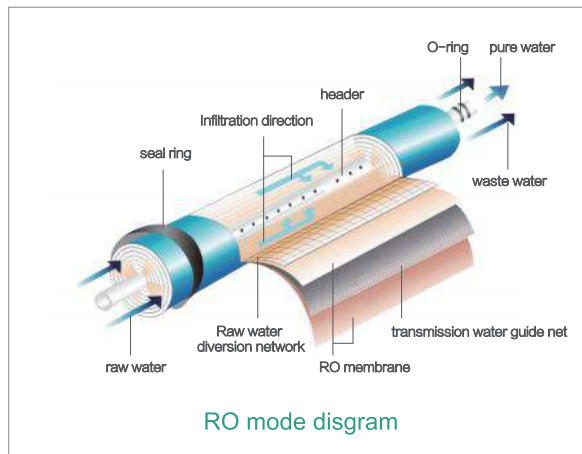
Two-stage booster pump



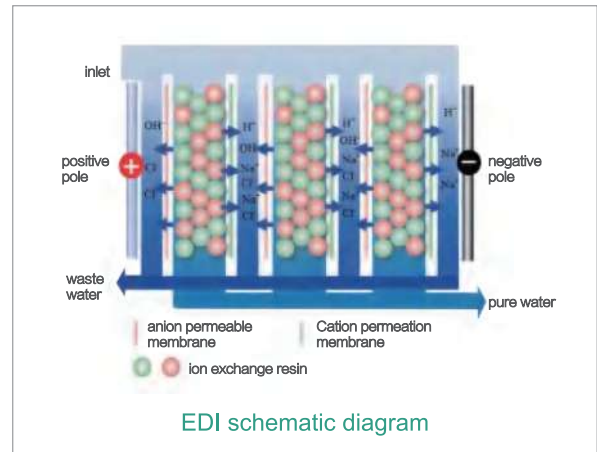
Two-stage RO membrane



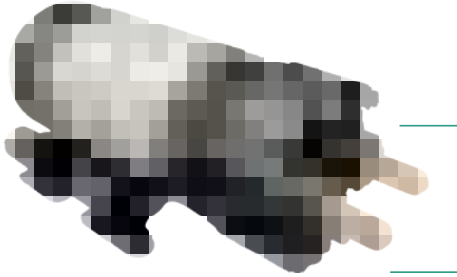
The output pressure of the two-stage booster pump can be automatically adjusted in real time according to the feed water conditions. Depends on feed water quality, our two-stage RO module service life can reach 2-3 years, and the conductivity of RO water will be less than 5uS/cm which can protect the EDI module and prolong EDI service life.



Electrodeionization (EDI) system



Water circulation before collecting



Water circulation before collecting

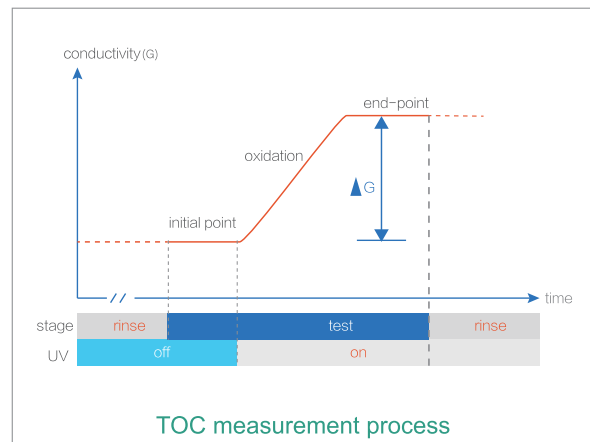
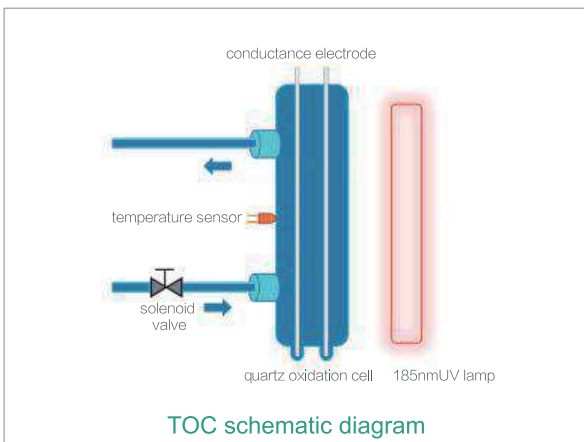
- When collect Type II water, the water in water tank flows back to the host, passing through circulation pump then outlet from the dispenser.
- When collect Type I water, the water in water tank flows back to the host, passing through circulation pump, dual wavelength ultraviolet lamp and ultra purification cartridge then outlet from the dispenser. Meanwhile, a little bit of Type I water will be divided to TOC analyzer module to evaluate the purity.

Water pumps

CE and NSF qualified water pumps, low noisy and stable working pressure.

TOC detection module

Total organic carbon(TOC) data will be shown on the screen, evaluated by a built-in real on-line TOC analyzer module with an independent closed oxidation cell that completely oxidizes organic matter to ensure accurate data. TOC level of Type I water is always less than 5ppb($\mu\text{g/L}$).



System UV lamp



Pure water UV lamp

Equipped with Type II pure water **265nm LED UV lamp (mercury-free, eco-friendly)** for disinfection. Ensure that the pure water produced has low microbial content, and the microbial content of pure water tank will be less;



Dual wavelength UV lamp

185nm wavelength can oxidize organic compounds. 254nm wavelength can cause microbial DNA damage and has disinfection effect.

Water leakage detector



External water leakage detector



Built-in water leakage detector

Independent water leakage protection, dual-site detection inside and outside the main host, accurate identification of water contact points, distinguish between water source leakage and instrument internal leakage, to ensure the safety of the entire laboratory. Once water leakage detected, 2 seconds after will turns to standby mode automatically.

30/60/100 liters PE water tank

- 254nm UV lamp, works 10 minutes every 1h 50mins to prevent growth of bacteria.
- 0.2µm inlet air filter to prevent air pollution.
- Pressure sensor to indicate the amount of water.
- Stepless water level adjustment on touch screen.



UV lamp



Air filter



Liquid level sensor



Automatic wake-up program for RO and EDI

- When the purification system rests more than 24 hours, a wake-up program will start automatically to produce purified water in order to make sure the purification quality for your daily use.

How to dispense purified water?



- To collect Type II water by using water valve directly from the water tank



- Collect Type II and Type I water by using dispenser arms: dispense water by clicking the button to activate, by rotating the button to control the flow rate upto 2L/min, to stop dispensing by clicking the button again



- **Quantitative water dispense.** Click the flask icon, enter the amount in milliliters, save and press 'dispenser' to collect water, the collecting can be terminated by clicking "cancel"



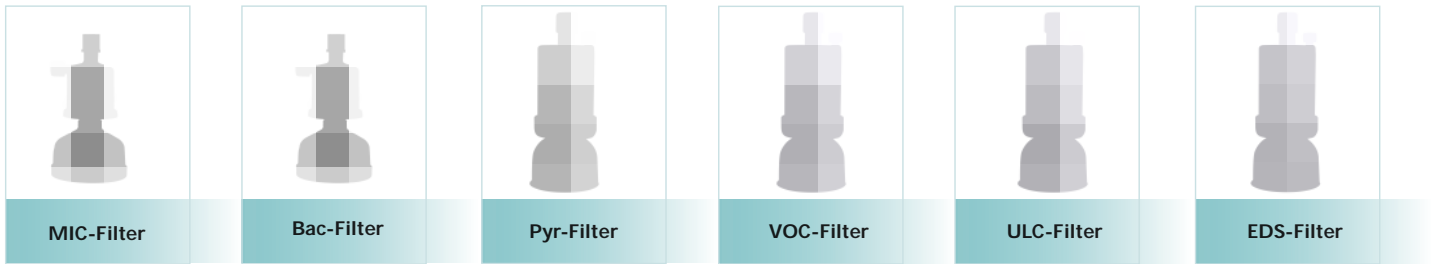
- **Foot pedal** frees your hands, flow rate upto 2L/minutus need be setted in advance by rotating the button of dispenser arm (Standard)

Remote dispenser arms

Two remote dispenser arms, one for Type II high purified water and one for Type I ultra purified water. Mounted with TFT touch sc-reen for setting, operating and monitoring. The arm equipped with a point-of-use filter can move up and down, and it also can be rotated 360 degrees.

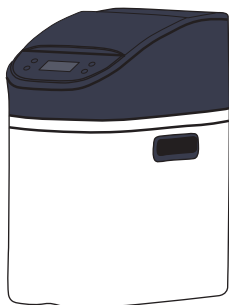


End filter



Standard	MIC-Filter	0.22µm filter; for removal of bacteria and particle(>0.22µm)
Optional	Bac-Filter	0.22µm+0.45µm filter; for removal of bacteria and particle(>0.22µm)
	Pyr-Filter	For removal of bacteria, protease,endotoxin,nuclease
	VOC-Filter	For removal of volatile organic compound-related applications
	ULC-Filter	For removal of ultra-trace organic matter
	EDS-Filter	For removal of endocrine disruptors

Universal salt softener all laboratory use models



Control valve	Automatic
Regeneration mode	Flow time mixed type/time type
Volume	5L
Recommended flow	≥0.5T/H
Pressure	0.15-0.5MPa
voltage	220V 50Hz
Inlet and outlet size	3/4" and 1"
Drain pipe size	φ18mm
Salt valve	Yes
External dimension	230×450×485mm
Packing dimension	240×465×520mm

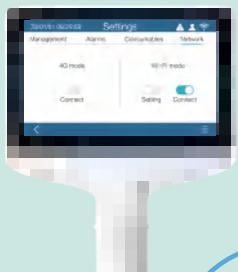
Data record & WIFI service

How to download data?

Built in using USB port to download the data by connecting your USB.



USB port



Wifi function

Our Wifi function offers real-time remote monitoring service, in the settings menu, select wifi mode or 4G mode. After connecting, users can check the running status of system at any time.

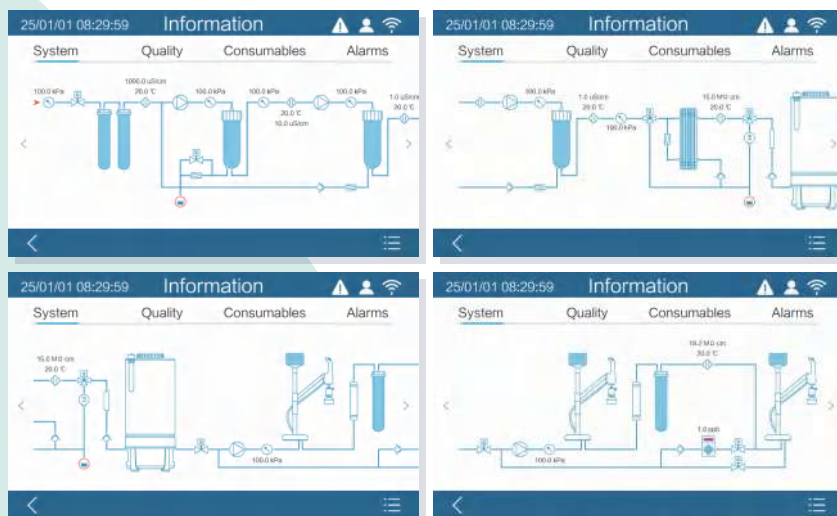
System Flow Chart

This system flow chart clearly illustrates the working principle of the water purification system and the entire water quality monitoring process. Starting from the input of raw water, it goes through pre-treatment and purification modules before finally producing purified water. Each stage is equipped with precise water quality monitoring sensors that track key water quality parameters in real time and display the data clearly on the screen.



*The flowchart data is simulated display data.

- Real-time water quality monitoring with data display.
- Intelligent display of the operating status of each water purification stage.
- User-friendly design for convenient and worry-free operation.



Flowchart page-turning diagram

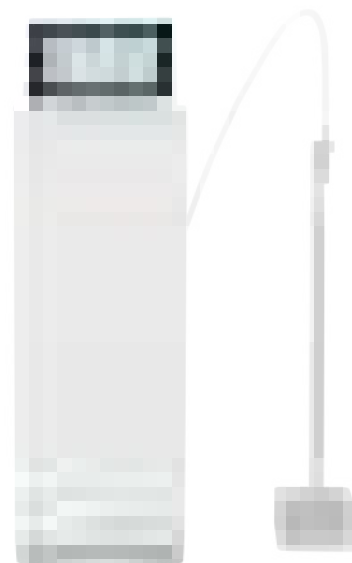
*The flowchart data is simulated display data.

Nova Zero-ion

purification terminal and dispensing unit of Nova U and Nova EU series, providing ppt or sub-ppt ultrapure water for sensitive analyses such as trace and ultra-trace elemental analysis

Applications:

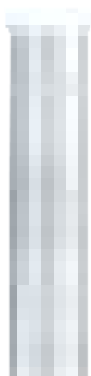
- ICP-MS/ nano UHPLC/ nano LC-MS/ LC-ESI- MS/ GF-AAS analyses
- Detection and measurement of elements at ppt and sub-ppt levels in samples
- Trace and ultra-trace elemental analyses
- Electronic chip flushing
- Environmental testing, drug analysis, forensic medicine, food and beverage industry, etc.



Main features

Compact design occupies less space, simple dispenser unit can be placed in super clean area to reduce contamination. Equipped with NFC chip recognition, internet of things technology, online real time U-cloud remote monitoring.

Trace analysis ultra-purification cartridge



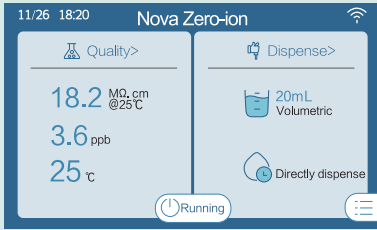
- Unique cartridge with patented electronica grade resin, easy to replace
- Brand-new waterway design, more loading capacity and stable water quality
- Unique connection design, stronger pressure resistance, better tightness

Outlet pipe support



- Easy to place in any clean environment
- Integrated design, easy to clean, prevent the growth of bacteria
- Good chemical stability, suitable for any environmental conditions

Intelligent human-computer interaction



- 5" LCD touch screen, animated icons, easy to operate



- Three-level access authorities, convenient laboratory management

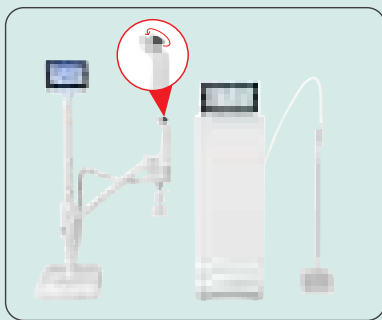
ion_col	
Name	ion_col
Identification code	95437000
Installation date	2022-01-13
Running time	47Day
Volume	11000L

- Clear running status and information display

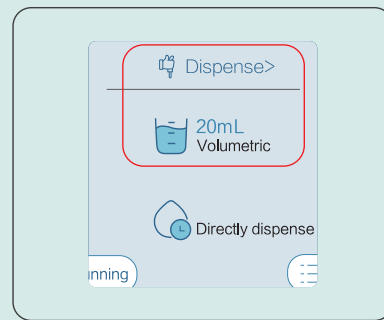


- Water quality report viewing and exporting function

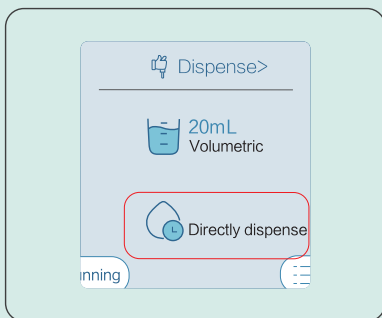
Dispense control



- Flow rate control by Type I water dispenser arm, up to 2L/min



- Quantitative water dispense



- Directly dispense by click the icon



- Foot pedal frees your hands

Central high purified water system

—Titan series is central high purified water system including pre-treatment system, main system and water tank.

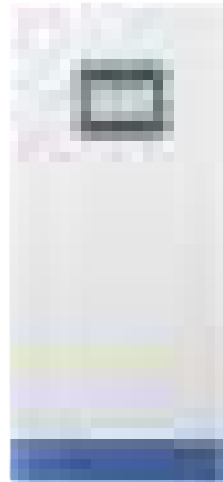


Pre-treatment system include

- Raw water pump
- Sand carbon filter, filled with activated carbon with stable performance to effectively remove residual chlorine and organic matter.
- Dual treatment of salt tank and resin softener to reduce the water hardness and remove water scale.
- Ultrafiltration membrane, PVDF material, nano-level filtration, remove particles, silt, colloids, microorganisms, etc. to ensure the safety and efficiency of the back-end purification components.

Main system include

- CE and NSF qualified high pressure water pump
- Reverse osmosis membrane, rejection rate 95% -99% to remove organic matter, ions and particles.
- EDI module
- Water distribution pump
- Microporous filter membrane pipeline filter to prevent pipeline pollution caused by microorganisms and blockage by debris
- Dual wavelength (254nm & 185nm) UV-lamp to remove microorganisms including bacterial spores and non-pathogenic microorganisms



SUS 304 stainless steel water tank

- Standard volume is 500L, can be customized upto 1 ton, 1.5 tons, 2 tons, etc. Equipped with 254nm UV lamp and 0.2μm inlet air filter

How to collect purified water?

- Water supply port, directly distribute the purified water into all inlet pipeline of building
- Purified water outlet for temporary water collecting

—Nova—Smart



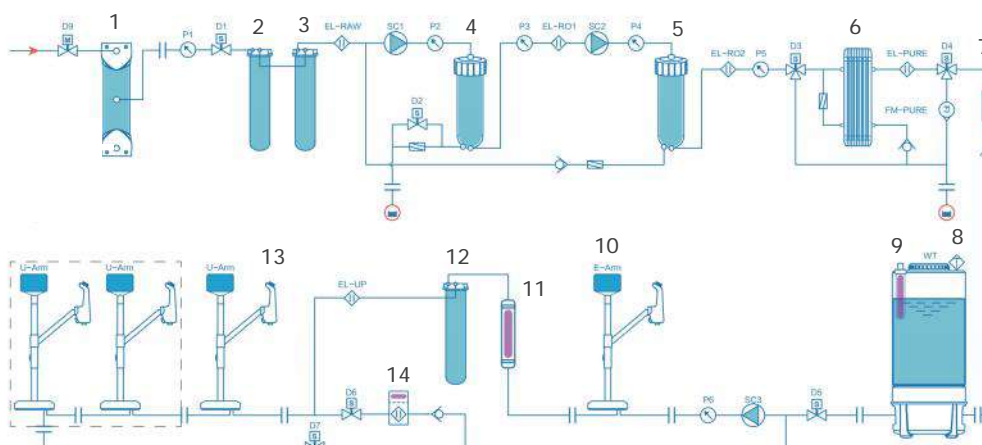
Nova EU10 / Nova EU15 / Nova EU20

Unique features

All-in-one system

- All-in-one system for ASTM Type I & Type II water/Clinical laboratory reagent water (CLSI)
- Real on-line TOC analyzer with 185nm UV-lamp inside
- EDI module imported
- Dual wavelength UV lamp 254nm & 185nm, Pure water mercury-free UV lamp 265nm
- Two (Type I & Type II) remote water dispenser arms with touch screen display
- U-cloud platform for remote monitoring (Wifi module)
- USB access port for data logging

Water Flow Chart



- | | | |
|-----------------------------|---------------------------------|----------------------------------|
| 1. Pre-treatment module | 6. EDI module | 11. UV lamp 185 & 254 nm |
| 2. Pre-guard cartridge A | 7. Mercury-free UV lamp 265nm | 12. Ultra purification cartridge |
| 3. Pre-guard cartridge B | 8. Water tank air filter | 13. Type I water dispenser arm |
| 4. First stage RO membrane | 9. Water tank UV lamp 254nm | 14. On-line TOC analyzer |
| 5. Second stage RO membrane | 10. Type II water dispenser arm | |



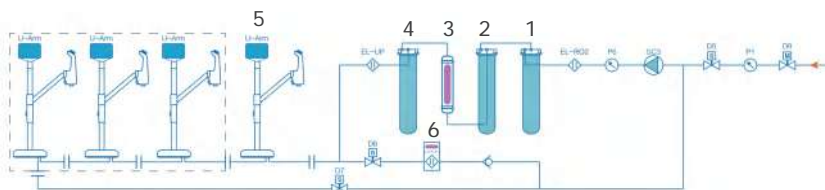
Nova U

Unique features

- ASTM Type I Ultra purified water system
- Real on-line TOC analyzer with 185nm UV-lamp inside
- Dual wavelength UV-lamp 254nm & 185nm
- One Type I remote water dispenser arm with touch screen display
- U-cloud platform for remote monitoring (Wifi module)
- USB access port for data logging

ASTM Type I Ultra purified water system

Water Flow Chart



1. Pre purification cartridge A
2. Pre purification cartridge B
3. UV lamp 185 & 254 nm
4. Ultra purification cartridge
5. Type I water dispenser arm
6. On-line TOC analyzer

Main configurations	All-in-one system			Type II water			Type I water
	Nova EU10	Nova EU15	Nova EU20	Nova E10	Nova E15	Nova E20	Nova U
Pre-treatment module		YES			YES		NO
Main host		YES			YES		YES
Pre-guard cartridge A		YES			YES		NO
Pre-guard cartridge B		YES			YES		NO
Ultra purification cartridge B*		YES			NO		YES
Two-stage Reverse osmosis		YES			YES		NO
EDI module imported		YES			YES		NO
Pre purification cartridge A		NO			NO		YES
Pre purification cartridge B		NO			NO		YES
Dual wavelength (254nm & 185nm) UV-lamp		YES			NO		YES
Pure water UV lamp (265nm)		YES			YES		NO
Real on-line TOC analyzer		YES			NO		YES
Type I Remote water dispenser arm with touch screen display		YES			NO		YES
Type II Remote water dispenser arm with touch screen display		YES			YES		NO
2M water piping from main unit to water tank & water dispenser		YES			YES		YES
Water tank of Type II water, stepless water level sensor		YES			YES		NO
254nm UV light of water tank		YES			YES		NO
Inlet air filter of water tank 0.2µm		YES			YES		NO
Water leakage protection sensor		YES			YES		YES
0.22 µm end filter		YES			YES		YES

*Optional ultra purification cartridge A special for semiconductor industry that has higher deionization requirements



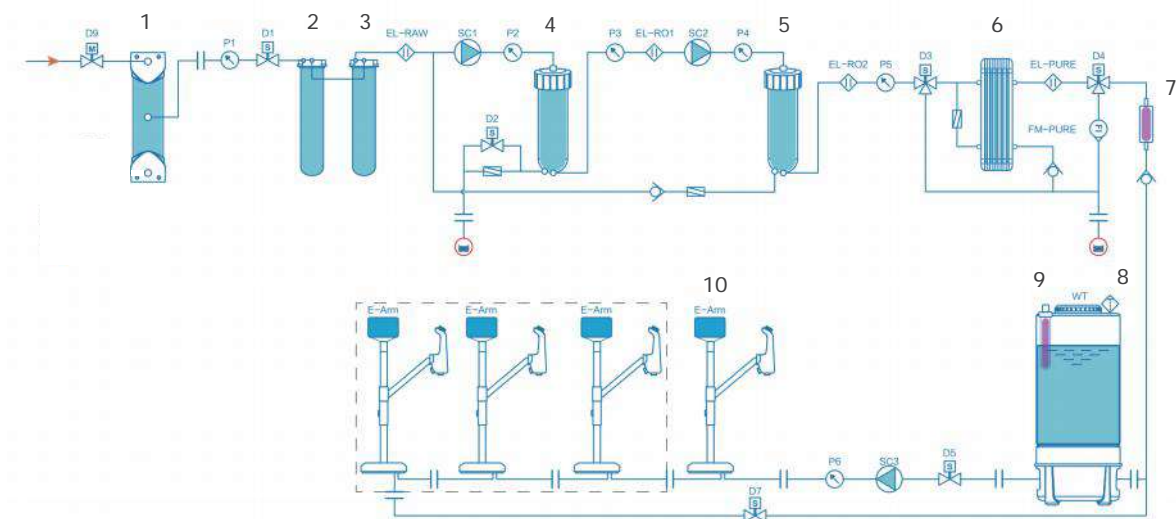
Nova E10 / Nova E15 / Nova E20

ASTM Type II Ultra purified water system

Unique features

- ASTM Type II Ultra purified water system
- EDI module imported
- Pure water mercury-free UV lamp 265nm
- Type II remote water dispenser arm with touch screen display
- U-cloud platform for remote monitoring (Wifi module)
- USB access port for data logging

Water Flow Chart



- | | |
|--|--|
| <ol style="list-style-type: none"> 1. Pre-treatment module 2. Pre-guard cartridge A 3. Pre-guard cartridge B 4. First stage RO membrane 5. Second stage RO membrane | <ol style="list-style-type: none"> 6. EDI module 7. Mercury-free UV lamp 265nm 8. Water tank air filter 9. Water tank UV lamp 254nm 10. Type II water dispenser arm |
|--|--|

Model	All-in-one system			Type II water			Type I water
	Nova EU10	Nova EU15	Nova EU20	Nova E10	Nova E15	Nova E20	Nova U
Feed water requirements							
Source	Potable tap water						Type II water/RO
Conductivity	<2000µS/cm						<100µS/cm
TOC	<1ppm						<50ppb
Hardness*	< 300ppm						0-1ppm
Pressure	0.1~0.4MPa						0.1~0.4MPa
Temperature	4~45 C						4~45 C
pH	5-9						7/6-8
Total chlorine	<3ppm						/
Residual chlorine	<2ppm						/
SiO ₂	<30ppm						/
Type II high purified water							
Resistivity at 25 C**	15MΩ.cm; typically 10-15MΩ.cm						N/A
Conductivity at 25 C**	0.067µS/cm; typically 0.1µS/cm						
TOC	<30ppb(µg/L)						
Particulates with size > 0.22µm***	No particles						
Bacteria***	<0.01cfu/mL (<10cfu/L)						
RO rejection	≥99%						
EDI ion rejection	≥99%						
Production flow rate	10L/H	15L/H	20L/H	10L/H	15L/H	20L/H	
Manual control water flow rate	Maximum 2L/min, stepless control of flow rate						
Quantitative water dispense range	0.01L ~ 60L						
Type I ultra purified water							
Resistivity at 25 C	18.2MΩ.cm			N/A			18.2MΩ.cm
Conductivity at 25 C	0.055µS/cm						0.055µS/cm
TOC	≤2ppb(µg/L)						≤2ppb(µg/L)
Particulates with size > 0.22µm***	No particles						No particles
Endotoxin (Pyrogens)***	<0.001EU/mL						<0.001EU/mL
Bacteria***	<0.01cfu/mL (<10cfu/L)						<0.01cfu/mL (<10cfu/L)
Rnase/Dnase***	—						—
Proteases***	<0.15µg/mL						<0.15µg/mL
Manual control water flow rate	Maximum 2L/min, stepless control of flow rate						Maximum 2L/min, stepless control of flow rate
Quantitative water dispense range	0.01L ~ 60L						0.01L ~ 60L
Electrical requirement							
Electrical voltage	110V/220V ±10%						
Electrical frequency	50Hz/60Hz						
Power	<135W						
Size information							
Net Weight							
Pre-treatment module	5.9kg						N/A
Main host	24.9kg	25.4kg	26.6kg	23.9kg	24.4kg	25.6kg	14.3kg
Water dispenser arm	4.1kg/unit						
30L Water tank	10.6kg						N/A
60L Water tank	12.2kg						
100L Water tank	13.6kg						
External Dimension (WxDxH)							
Pre-treatment module	180×215×430 (mm)						N/A
Main host	330×545×525 (mm)						330×420×525 (mm)
Water dispenser arm	204×330×714 (mm)/unit						
30L Water tank	410×410×695(mm)						N/A
60L Water tank	410×410×935(mm)						
100L Water tank	410×410×1245(mm)						
Packing information							
Gross Weight							
Accessory	13kg						N/A
Main host	33kg						24kg
Water dispenser arm	7.5kg/unit						
30L Water tank	12.5kg						N/A
60L Water tank	15.1kg						
100L Water tank	16kg						
Packing Dimension (WxDxH)							
Accessory	400×780×280 (mm)						N/A
Main host	420×630×700 (mm)						420×630×790 (mm)
Water dispenser arm	400×780×280 (mm)/unit						
30L Water tank	420×420×770 (mm)						N/A
60L Water tank	420×420×1010 (mm)						
100L Water tank	420×420×1320 (mm)						

*If the tap water contains a high rate of calcium ions and magnesium ion which do not meet the requirement, please use salty box to remove part of calcium ions and magnesium ion in advance

**Resistivity typically 10-15MΩ.cm at 25 C, Conductivity typically 0.1µS/cm, at 25 C

***Feed water quality should meet above requirements and purified water through the remote water dispenser with end filter

—Nova Zero-ion



Nova Zero-ion

Unique features

- Equip with Nova EU and Nova U only
- Unique cartridge with patented electronica grade resin
- U-cloud platform for remote monitoring
- USB access port for data logging

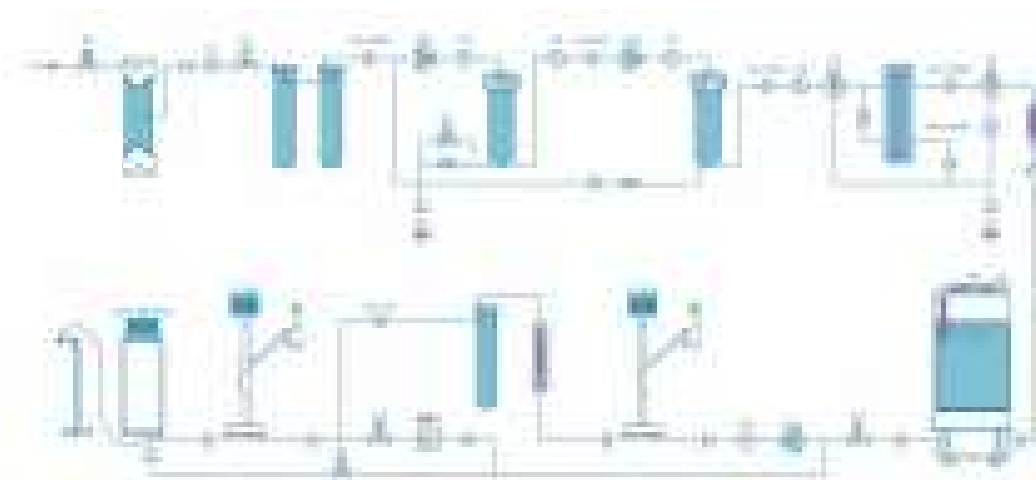
ppt or sub-ppt ultra purified water

Feed water*	
Resistivity at 25 °C	18.2MΩ.cm
Total Organic Carbon (TOC)	≤5ppb(μg/L)
Performance	
Resistivity at 25 °C	18.2MΩ.cm
Total Organic Carbon (TOC)	≤2ppb(μg/L)
Ion content**	<0.1ppt
Flow rate	Up to 2L/min, stepless control
Quantitative water dispense range	0.01L-60L
Size information	
Dimensions (W×D×H)	180×217×510mm
Net weight	6.9kg
Length of outlet pipe	Standard 2m, customized length for optional
Outlet pipe support dimensions (W×D×H)	80×201.5×400mm
Packing information	
Package dimensions (W×D×H)	220×451×563mm
Gross weight	8.5kg

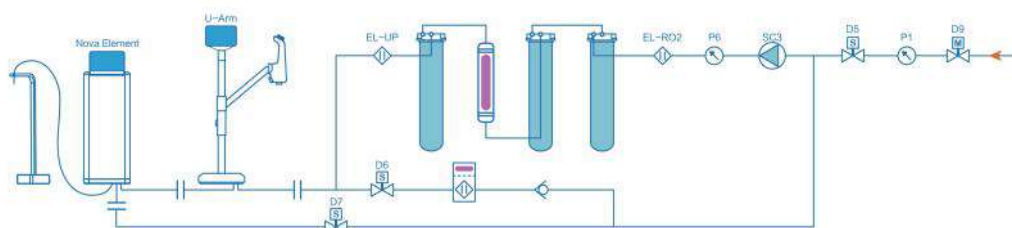
*Ultra pure water/Type I water by Nova series

**Verified by end user, analytical technique of trace elements

Nova EU



Nova U



Elemental detection data

Element	Unit	Detection limit	Sample
Calcium (Ca)	µg/L	6.61	<6.61
Iron (Fe)	µg/L	0.82	<0.82
Chromium (Cr)	µg/L	0.11	<0.11
Barium (Ba)	µg/L	0.2	<0.2
Vanadium (V)	µg/L	0.08	<0.08
Cadmium (Cd)	µg/L	0.05	<0.05
Cobalt (Co)	µg/L	0.03	<0.03
Gallium (Ga)	µg/L	0.02	<0.02
Potassium(K)	µg/L	4.5	<4.5
Aluminium (Al)	µg/L	1.15	<1.15
Magnesium (Mg)	µg/L	1.94	<1.94
Manganese (Mn)	µg/L	0.12	<0.12
Molybdenum (Mo)	µg/L	0.06	<0.06
Sodium (Na)	µg/L	6.36	<6.36
Nickel (Ni)	µg/L	0.06	<0.06
Boron (Bi)	µg/L	1.25	<1.25
Beryllium (Be)	µg/L	0.04	<0.04
Lead (Pb)	µg/L	0.09	<0.09
Arsenic (As)	µg/L	0.12	<0.12
Strontium (Sr)	µg/L	0.29	<0.29
Thallium (Tl)	µg/L	0.02	<0.02
Titanium (Ti)	µg/L	0.46	<0.46
Antimony (Sb)	µg/L	0.15	<0.15
Copper (Cu)	µg/L	0.08	<0.08
Selenium (Se)	µg/L	0.41	<0.41
Tin (Sn)	µg/L	0.08	<0.08
Zinc (Zn)	µg/L	0.67	<0.67
Sliver (Ag)	µg/L	0.04	<0.04

Data obtained courtesy of SGS-CSTC Standards Technical Services (Qingdao) Co., Ltd

—Performa



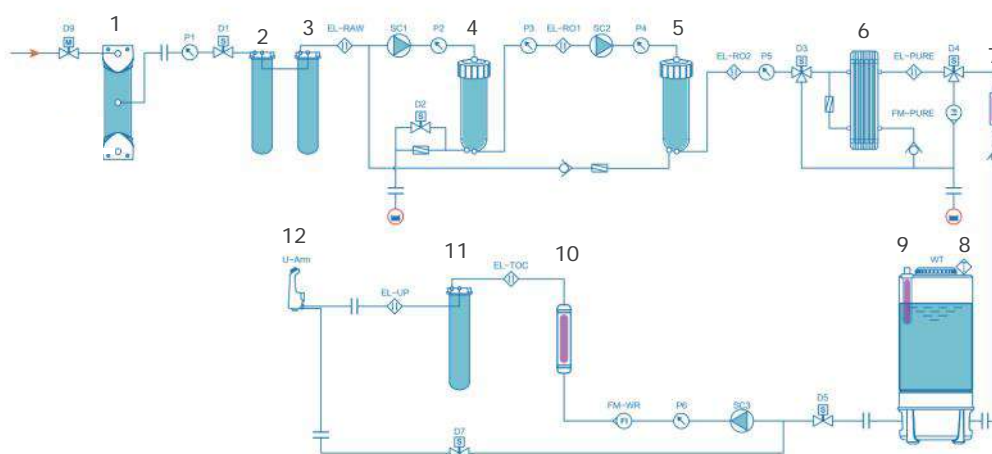
Performa EU10 / Performa EU15 / Performa EU20

Unique features

All-in-one system

- All-in-one system for ASTM Type I & Type II water/Clinical laboratory reagent water (CLSII)
- Integrated water dispenser arm
- On line real time TOC monitoring
- Dual wavelength UV lamp 254nm & 185nm, Pure water mercury-free UV lamp 265nm
- China made EDI self-developed
- U-cloud platform for remote monitoring (Wifi module)
- USB access port for data logging

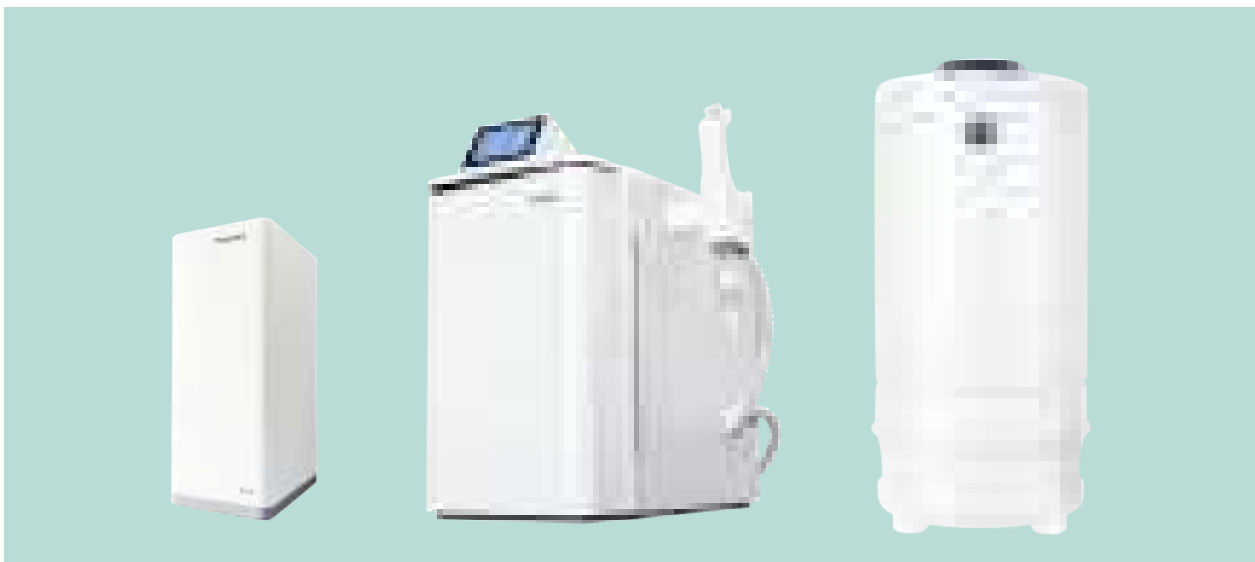
Water Flow Chart



- 1. Pre-treatment module
- 2. Pre-guard cartridge A
- 3. Pre-guard cartridge B
- 4. First stage RO membrane

- 5. Second stage RO membrane
- 6. EDI module
- 7. Mercury-free UV lamp 265nm
- 8. Water tank air filter

- 9. Water tank UV lamp 254nm
- 10. UV lamp 185 & 254 nm
- 11. Ultra purification cartridge
- 12. Type I water dispenser arm



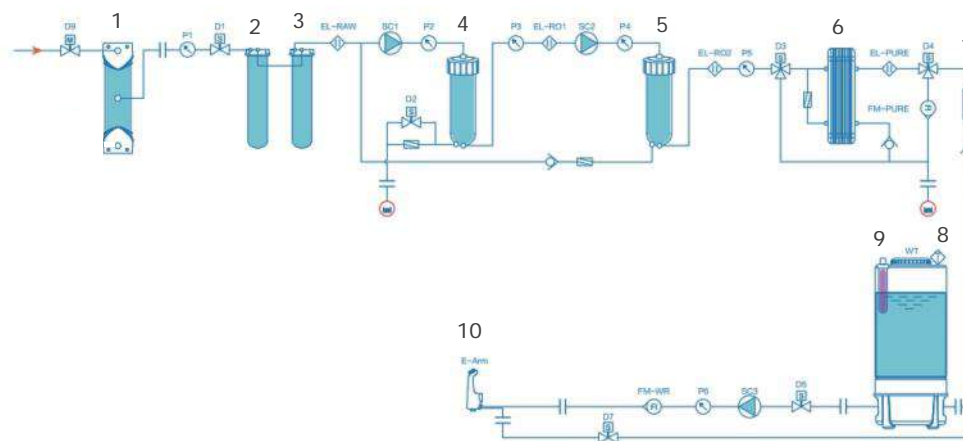
Performa E10 / Performa E15 / Performa E20

Unique features

- Integrated water dispenser arm
- China made EDI self-developed
- U-cloud platform for remote monitoring (Wifi module)
- USB access port for data logging
- Pure water mercury-free UV lamp 265nm

ASTM Type II high purified water system
Clinical laboratory reagent water (CLSI)

Water Flow Chart



- | | |
|-----------------------------|---------------------------------|
| 1. Pre-treatment module | 6. EDI module |
| 2. Pre-guard cartridge A | 7. Mercury-free UV lamp 265nm |
| 3. Pre-guard cartridge B | 8. Water tank air filter |
| 4. First stage RO membrane | 9. Water tank UV lamp 254nm |
| 5. Second stage RO membrane | 10. Type II water dispenser arm |



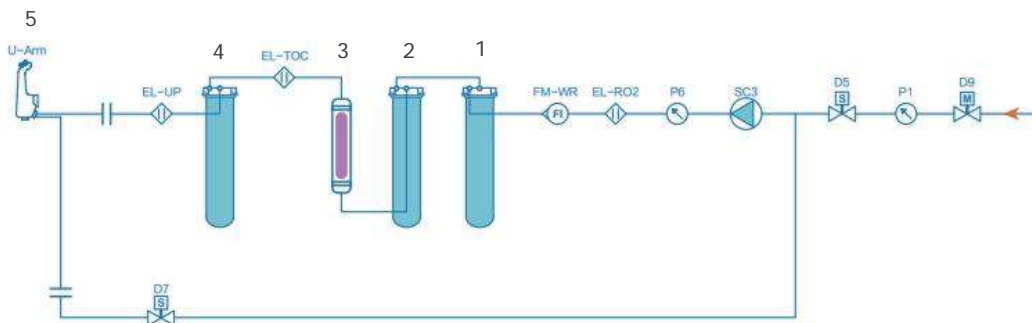
Performa U

Unique features

- Integrated water dispenser arm
- On line real time TOC monitoring
- Dual wavelength UV-lamp 254nm & 185nm
- U-cloud platform for remote monitoring (Wifi module)
- USB access port for data logging

ASTM Type I Ultra purified water system

Water Flow Chart



1. Pre purification cartridge A
2. Pre purification cartridge B
3. UV lamp 185 & 254 nm
4. Ultra purification cartridge
5. Type I water dispenser arm

Main configurations	All-in-one system			Type II water			Type I water
	Performa EU10	Performa EU15	Performa EU20	Performa E10	Performa E15	Performa E20	Performa U
Pre-treatment module		YES			YES		NO
Main host		YES			YES		YES
Pre-guard cartridge A		YES			YES		NO
Pre-guard cartridge B		YES			YES		NO
Pre purification cartridge A		NO			NO		YES
Pre purification cartridge B		NO			NO		YES
Two-stage Reverse osmosis		YES			YES		NO
EDI module self-developed		YES			YES		NO
Water tank; stepless water level sensor		YES			YES		NO
254nm UV light of water tank		YES			YES		NO
Inlet air filter of water tank 0.2µm		YES			YES		NO
Water leakage protection sensor		YES			YES		YES
Dual wavelength (254nm & 185nm) UV-lamp		YES			NO		YES
Pure water UV lamp (265nm)		YES			YES		NO
TOC monitoring		YES			NO		YES
Ultra purification cartridge B		YES			NO		YES
One integrated water dispenser arm		YES			YES		YES
1M water piping from main unit to water dispenser arm		YES			YES		YES
0.22 µm end filter		YES			YES		YES

* Optional ultra purification cartridge A special for semiconductor industry that has higher deionization requirements

Model	All-in-one system			Type II water			Type I water
	Performa EU10	Performa EU15	Performa EU20	Performa E10	Performa E15	Performa E20	Performa U
Feed water requirements							
Source	Potable tap water						Type II water/RO
Conductivity	<2000µS/cm						<100µS/cm
TOC	<1ppm						<50ppb
Hardness*	<300ppm						0-1ppm
Pressure	0.1~0.4MPa						0.1~0.4MPa
Temperature	4~45 C						4~45 C
PH	5-9						7/6-8
Total chlorine	<3ppm						/
Residual chlorine	<2ppm						/
SiO ₂	<30ppm						/
Type II high purified water							
Resistivity at 25 C **	15MΩ.cm; typically 10-15MΩ.cm						N/A
Conductivity at 25 C **	0.067µS/cm; typically 0.1µS/cm						
TOC	<30ppb(µg/L)						
Particulates with size > 0.22µm***	No particles						
Bacteria***	<0.01cfu/mL (<10cfu/L)						
RO rejection	≥99%						
EDI ion rejection	≥99%						
Production flow rate	10L/H	15L/H	20L/H	10L/H	15L/H	20L/H	
Type I ultra purified water							
Resistivity at 25 C	18.2MΩ.cm			N/A			18.2MΩ.cm
Conductivity at 25 C	0.055µS/cm						0.055µS/cm
TOC	≤2ppb(µg/L)						≤2ppb(µg/L)
Particulates with size > 0.22µm ***	No particles						No particles
Endotoxin (Pyrogens) ***	<0.001EU/mL						<0.001EU/mL
Bacteria ***	<0.01cfu/mL (<10cfu/L)						<0.01cfu/mL (<10cfu/L)
Rnase/Dnase***	—						Free
Proteases ***	<0.15µg/mL			<0.15µg/mL			
Manual control water flow rate	Maximum 2L/min, stepless control of flow rate			Maximum 2L/min, stepless control of flow rate			
Quantitative water dispense range	0.01L ~ 60L			0.01L ~ 60L			
Electrical requirement							
Electrical voltage	110V/220V ±10%						
Electrical frequency	50Hz/60Hz						
Power	<135W						
Size information							
Net Weight							
Pre-treatment module	5.9kg						N/A
Main host with dispenser arm	26.8kg	27.2kg	27.6kg	25.8kg	26.2kg	26.6kg	14.6kg
30L Water tank	10.6kg						N/A
60L Water tank	12.2kg						
100L Water tank	13.6kg						
External Dimension (WxDxH)							
Pre-treatment module	180×215×430 (mm)						N/A
Main host with dispenser arm	330×545×605 (mm)						330×420×605 (mm)
30L Water tank	410×410×695 (mm)						N/A
60L Water tank	410×410×935 (mm)						
100L Water tank	410×410×1245 (mm)						
Packing information							
Gross Weight							
Accessory	13kg						24kg
Main host with dispenser arm	36kg						
30L Water tank	12.5kg						
60L Water tank	15.1kg						
100L Water tank	16kg						N/A
Packing Dimension (WxDxH)							
Accessory	400×780×280 (mm)						N/A
Main host with dispenser arm	420×630×790 (mm)						420×630×790 (mm)
30L Water tank	420×420×770 (mm)						N/A
60L Water tank	420×420×1010 (mm)						
100L Water tank	420×420×1320 (mm)						

*If the tap water contains a high rate of calcium ions and magnesium ion which do not meet the requirement, please use salty box to remove part of calcium ions and magnesium ion in advance

**Resistivity typically 10-15MΩ.cm at 25 C, Conductivity typically 0.1µS/cm, at 25 C

***Feed water quality should meet above requirements and purified water through the remote water dispenser with end filter

—Classic



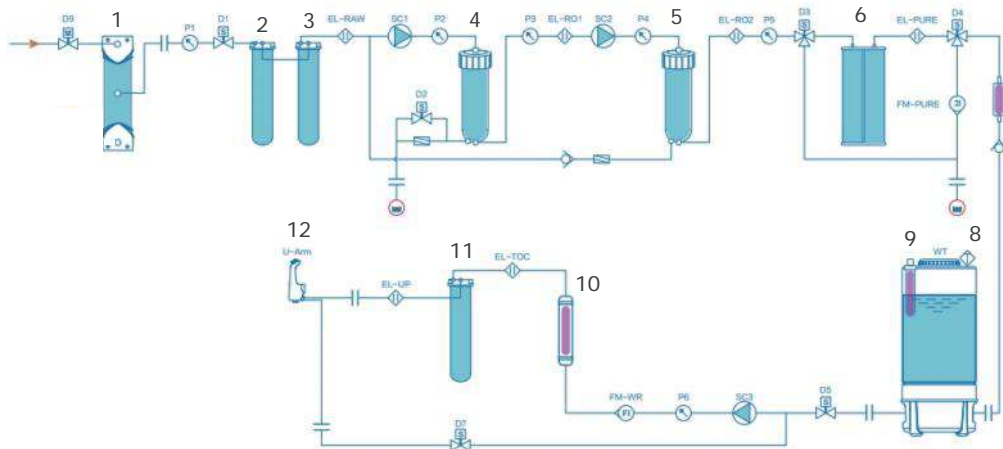
Classic DU15 / Classic DU20 / Classic DU25

Unique features

All-in-one system

- ASTM Type I & Type II water/Clinical laboratory reagent water (CLSI)
- On line real time TOC monitoring
- Dual wavelength UV lamp 254nm & 185nm, Pure water mercury-free UV lamp 265nm
- U-cloud platform for remote monitoring (Wifi module)
- DI resin module
- USB access port for data logging

Water Flow Chart



1. Pre-treatment module
2. Pre-guard cartridge A
3. Pre-guard cartridge B
4. First stage RO membrane

5. Second stage RO membrane
6. DI module
7. Mercury-free UV lamp 265nm
8. Water tank air filter

9. Water tank UV lamp 254nm
10. UV lamp 185 & 254 nm
11. Ultra purification cartridge
12. Type I water dispenser arm



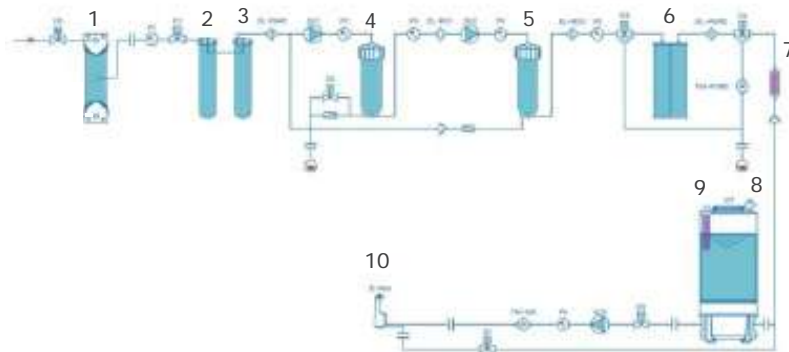
Classic D15 / Classic D20 / Classic D25

Unique features

- Integrated water dispenser arm
- U-cloud platform for remote monitoring (Wifi module)
- DI resin module
- USB access port for data logging
- Pure water mercury-free UV lamp 265nm

ASTM Type II high purified water system
Clinical laboratory reagent water (CLSI)

Water Flow Chart



1. Pre-treatment module
2. Pre-guard cartridge A
3. Pre-guard cartridge B
4. First stage RO membrane
5. Second stage RO membrane
6. DI module
7. Mercury-free UV lamp 265nm
8. Water tank air filter
9. Water tank UV lamp 254nm
10. Type II water dispenser arm

Main configurations	All-in-one system			Type II water		
	DU15	DU20	DU25	D15	D20	D25
Pre-treatment module		YES			YES	
Main host		YES			YES	
Pre-guard cartridge A		YES			YES	
Pre-guard cartridge B		YES			YES	
Two-stage Reverse Osmosis		YES			YES	
DI resin		YES			YES	
Water tank; stepless water level sensor		YES			YES	
254nm UV light of water tank		YES			YES	
Inlet air filter of water tank		YES			YES	
Water leakage protection sensor		YES			YES	
TOC monitoring		YES			NO	
Dual wavelength (254nm & 185nm)UV-lamp		YES			NO	
Pure water UV lamp (265nm)		YES			YES	
Ultra purification cartridge B		YES			NO	
One integrated water dispenser arm		YES			YES	
0.22 μm end filter		YES			YES	

*Optional ultra purification cartridge A special for semiconductor industry that has higher deionization requirements

Model	All-in-one system			Type II water		
	DU15	DU20	DU25	D15	D20	D25
Feed water requirement						
Source	Potable tap water					
Conductivity	< 2000µS/cm					
TOC	< 1ppm					
Hardness*	< 300ppm					
Pressure	0.1~0.4Mpa					
Temperature	4~45 C					
pH	5-9					
Total chlorine	< 3ppm					
Residual chlorine	< 2ppm					
SiO ₂	< 30ppm					
Type II high purified water						
Resistivity at 25 C **	> 8MΩ.cm; typically 10-15MΩ.cm					
Conductivity at 25 C **	Typically 0.1µS/cm					
TOC	< 30ppb(µg/L)					
Particulates with size > 0.22µm***	< 1pc/µL					
Bacteria***	< 0.01cfu/mL (< 10cfu/L)					
RO rejection	≥ 99%					
EDI ion rejection	≥ 99%					
Production flow rate	15L/H	20L/H	25L/H	15L/H	20L/H	25L/H
Type I ultra purified water						
Resistivity at 25 C	18.2MΩ.cm			N/A		
Conductivity at 25 C	0.055µS/cm					
TOC	≤ 2ppb(µg/L)					
Particulates with size > 0.22µm ***	No particles					
Endotoxin (Pyrogens) ***	< 0.001EU/mL					
Bacteria ***	< 0.01cfu/mL (< 10cfu/L)					
Rnase/Dnase***	—					
Proteases***	< 0.15µg/mL					
Manual control water flow rate	Maximum 2L/min, stepless control of flow rate					
Quantitative water dispense range	0.01L ~ 60L					
Electrical requirement						
Electrical voltage	110V/220V ± 10%					
Electrical frequency	50Hz/60Hz					
Power	135W					
Size information						
Net Weight						
Pre-treatment module				5.9kg		
Main host with dispenser arm	25.6kg			24.6kg		
30L Water tank				10.6kg		
60L Water tank				12.2kg		
100L Water tank				13.6kg		
External Dimension (WxDxH)						
Pre-treatment module	180×215×430 (mm)					
Main host with dispenser arm	330×545×605 (mm)					
30L Water tank	410×410×695 (mm)					
60L Water tank	410×410×935 (mm)					
100L Water tank	410×410×1245 (mm)					
Packing information						
Gross Weight						
Accessory	13kg					
Main host with dispenser arm	36kg					
30L Water tank	12.5kg					
60L Water tank	15.1kg					
100L Water tank	16kg					
Packing Dimension (WxDxH)						
Accessory	400×780×280 (mm)					
Main host with dispenser arm	420×630×790 (mm)					
30L Water tank	420×420×770 (mm)					
60L Water tank	420×420×1010 (mm)					
100L Water tank	420×420×1320 (mm)					

* If the tap water contains a high rate of calcium ions and magnesium ion which do not meet the requirement, please use salty box to remove part of calcium ions and magnesium ion in advance

** Resistivity typically 10-15MΩ.cm at 25 C, Conductivity typically 0.1µS/cm, at 25 C

*** Feed water quality should meet above requirements and purified water through the remote water dispenser with end filter



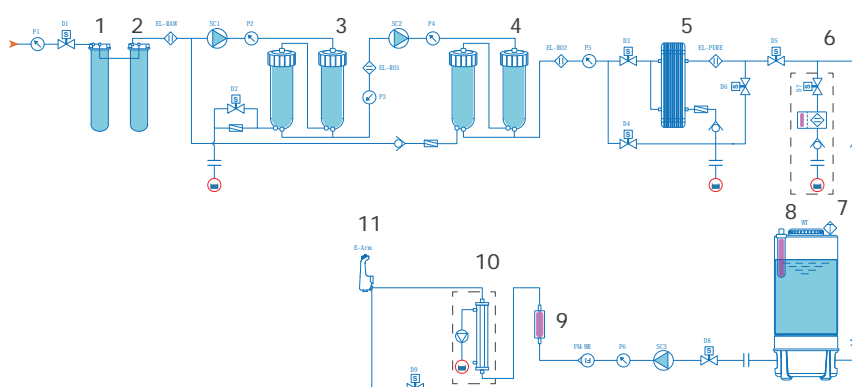
Noble E60/Noble E100

Unique features

- ASTM Type II high purified water system & Clinical laboratory reagent water (CLSI)
- Integrated water dispenser arm
- U-cloud platform for remote monitoring(Wifi module)
- China made EDI self-developed
- USB access port for data logging
- Pure water mercury-free UV lamp 265nm
- 100L water tank, optional 500/1000/1500/2000/3000L water tank

ASTM Type II Ultra purified water system

Water Flow Chart



1. Pre-guard cartridge C
2. Pre-guard cartridge D
3. First stage RO double membrane
4. Second stage RO double membrane
5. EDI module
6. On-line TOC analyzer
7. Water tank air filter
8. Water tank UV lamp 254nm
9. Mercury-free UV lamp 265nm
10. Degassing Module
11. Type II water dispenser arm



1. Solenoid Valve
2. Waste liquid
3. Flow meter
4. Pump
5. Check Valve
6. Wastewater ratio
7. Inter-module interface
8. Pressure sensors
9. Electrode
10. Air filter
11. UV lamp 185 & 254 nm
12. Purification cartridge
13. RO Membrane
14. EDI Module
15. Pure Water Tank
16. Water tank UV lamp
17. Ultra purification cartridge
18. On-line TOC analyzer
19. Degassing Module
20. Optional Function

Noble



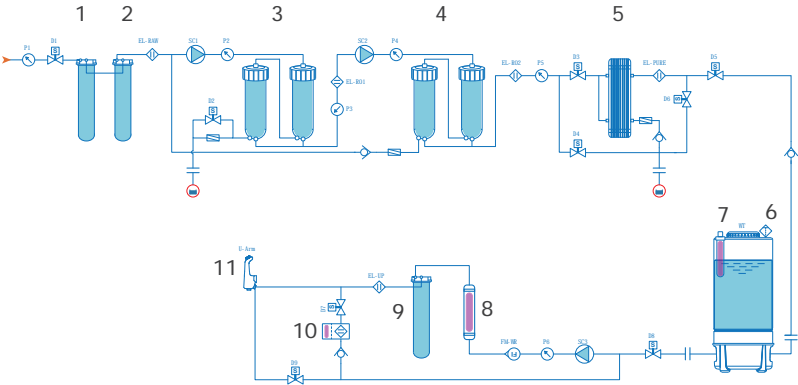
Noble EU60/Noble EU100

Unique features

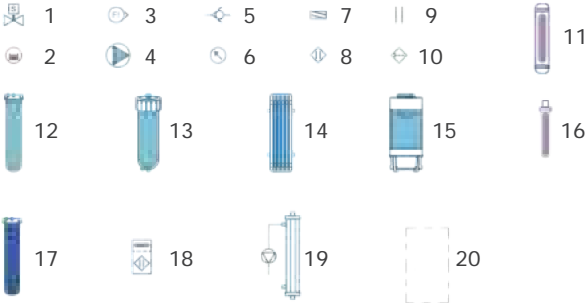
All-in-one system

- All-in-one system for ASTM Type I & Type II water/Clinical laboratory reagent water (CLSI)
- Integrated water dispenser arm
- On line real time TOC monitoring
- Dual wavelength UV lamp 254nm & 185nm
- China made EDI self-developed
- U-cloud platform for remote monitoring (Wifi module)
- USB access port for data logging
- 100L water tank, optional 500/1000/1500/2000/3000L water tank

Water Flow Chart



1. Pre-guard cartridge C
2. Pre-guard cartridge D
3. First stage RO double membrane
4. Second stage RO double membrane
5. EDI module
6. Water tank air filter
7. Water tank UV lamp 254nm
8. Dual wavelength UV lamp, 185&254nm
9. Ultra purification cartridge
10. On-line TOC analyzer
11. Type I water dispenser arm



1. Solenoid Valve
2. Waste liquid
3. Flow meter
4. Pump
5. Check Valve
6. Wastewater ratio
7. Inter-module interface
8. Pressure sensors
9. Electrode
10. Air filter
11. UV lamp 185 & 254 nm
12. Purification cartridge
13. RO Membrane
14. EDI Module
15. Pure Water Tank
16. Water tank UV lamp
17. Ultra purification cartridge
18. On-line TOC analyzer
19. Degassing Module
20. Optional Function

Main configuration	Type II water		All-in-one system	
	Noble E60	Noble E100	Noble EU60	Noble EU100
Pre-guard cartridge C	Yes		Yes	
Pre-guard cartridge D	Yes		Yes	
Two-stage Reverse osmosis	Yes		Yes	
EDI module self-developed	Yes		Yes	
100L Water tank:stepless water level sensor	Yes		Yes	
254nm UV light of water tank	Yes		Yes	
Inlet air filter of water tank 0.2um	Yes		Yes	
Water leakage protection sensor	Yes		Yes	
Dual wavelength (254 nm& 185 nm)UV-lamp	No		Yes	
Pure water UV lamp (254 nm)	Yes		No	
Ultra purification cartridge	No		Yes	
One integrated water dispenser arm	Yes		Yes	
1M water piping from main unit to water dispenser arm	Yes		Yes	
0.22 μm end filter	Yes		Yes	
On-line TOC analyzer	Optional		Yes	
Degassing Module	Optional		No	
Ultrapure Water Upgrade Module	No		Yes	

Model	Type II water		All-in-one system	
	Noble E60	Noble E100	Noble EU60	Noble EU100
Feed water requirements				
Source	Potable tap water			
Water inlet pressure	0.1-0.4MPa			
Water inlet conductivity	<2000uS/cm			
Water inlet TOC	<1ppm			
Hardness*	< 300 ppm			
Ambient temperature	4-45°C			
PH	4-10			
Type II high purified water				
Resistivity at 25 °C **	≥5 MΩ.cm		≥5 MΩ.cm	
Conductivity at 25 °C **	≤ 0.2 uS/cm		≤ 0.2 uS/cm	
TOC (Total Organic Carbon)	<30 ppb(μg/L)		<30 ppb(μg/L)	
Particles (>0.2μm particles) ***	<1 /mL		<1 /mL	
Microorganism***	< 1 cfu/mL		< 1 cfu/mL	
RO rejection	97-98%		97-98%	
EDI ion rejection	≥99%		≥99%	
Production flow rate	60 L/H	100 L/H	60 L/H	100 L/H
Manual control water flow rate	2 L/min		2 L/min	
RO rejection	97-98%		97-98%	
Organic rejection	≥99%		≥99%	
Type I ultra purified water				
Electrical resistivity	N/A		18.2 MΩ.cm@25°C	
TOC (Total Organic Carbon)			<5 ppb ^[1]	
Particles (>0.2μm particles)			<1 /mL	
Microorganism			<0.01 CFU/mL	
Pyrogen			<0.001 EU/mL	
Rnase			<0.4 pg/mL	
Dnase			<2 pg/mL	
Flow rate			2 L/min	
Electrical requirement				
Input voltage	100-240 V/50-60 Hz/AC		100-240 V/50-60 Hz/AC	
Rated power	120 W		120 W	
Size information				
Dimensions (width × depth × height)	Main host: 350×640×650 mm		Main host: 350×640×650 mm	
Main host weight	60 kg		60 kg	

* If the tap water contains a high rate of calcium ions and magnesium ion which do not meet the requirement, please use salty box to remove part of calcium ions and magnesium ion in advance

** Resistivity typically 10-15MΩ.cm at 25 °C , Conductivity typically 0.1μS/cm, at 25 °C

*** Feed water quality should meet above requirements and purified water through the remote water dispenser with end filter

— TITAN



Nova C300 / Nova C500 / Classic C300 / Classic C500

Nova-Unique features

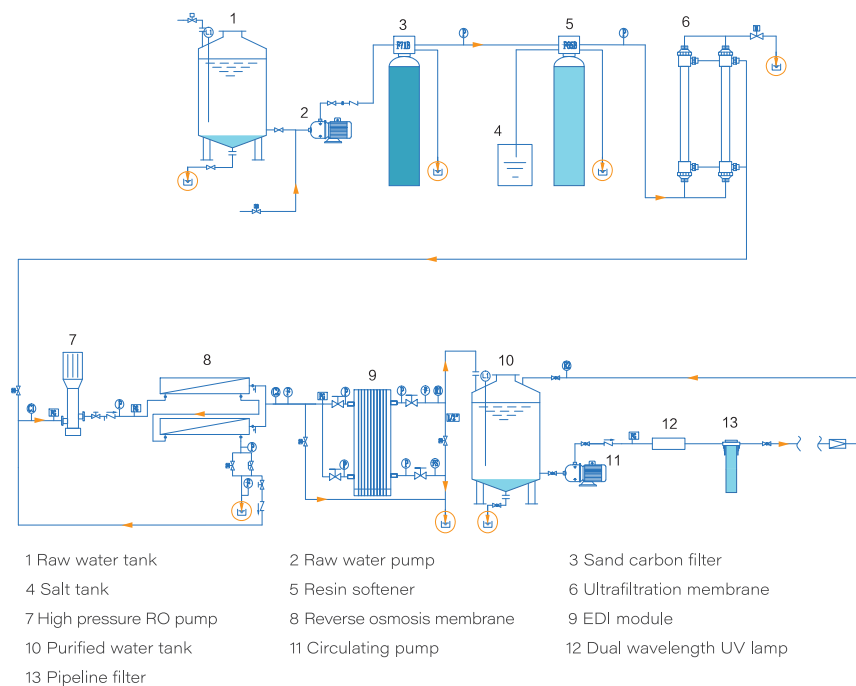
- EDI and water pumps original imported
- ASTM Type II / Type I purified water system
- Pre-treatment module
- 500L stainless steel water tank
- Productivity rate 300L/500L
- TFT touch screen controller
- U-cloud platform for remote monitoring (Wifi module)
- USB access port for data logging

Classic-Unique features

- China made high quality customized EDI and pumps
- ASTM Type II / Type I purified water system
- Pre-treatment module
- 500L stainless steel water tank
- Productivity rate 300L/500L
- TFT touch screen controller
- U-cloud platform for remote monitoring (Wifi module)
- USB access port for data logging

Central high purified water system

Water Flow Chart



Main configurations		Central high purified water system			
		Nova C300	Nova C500	Classic C300	Classic C500
Raw water tank		<ul style="list-style-type: none"> ● All water pumps are original imported, qualified by CE and NSF ● EDI imported 		<ul style="list-style-type: none"> ● China made high quality water pump ● EDI self-developed 	
Pre-treatment module	Raw water pump				
	Sand carbon filter				
	Salt tank and Resin softener				
	Ultrafiltration membrane				
Main system	High pressure water pump				
	Reverse osmosis membrane				
	EDI module				
	Water distribution pump				
	Microporous filter membrane pipeline filter				
500L Stainless steel water tank	Dual wavelength (254nm & 185nm) UV- lamp				
	254nm UV light				
	0.2μm inlet air filter				

*Please contact for more customized water tank: one ton, one and half tons, two tons, etc

** If needed, we will help to design installation building pipeline

▲ *Upgraded Type I ultra purified water system equipped with ultrafiltration membrane and TOC module (optional)*

Model		Central high purified water system			
		Nova C300	Nova C500	Classic C300	Classic C500
Feed water requirement	Source	Potable tap water			
	Conductivity	<2000μS/cm			
	TOC	<1ppm			
	Hardness*	<450ppm as CaCO ₃			
	Pressure	0.1~0.4Mpa			
	Temperature	5~45 C			
	PH	4-10			
Specifications	Resistivity at 25 C**	> 8MΩ.cm; typically 10-15MΩ.cm			
	Conductivity at 25 C**	0.125μS/cm; typically 0.1μS/cm			
	TOC	< 30ppb(μg/L)			
	Particulates with size>0.22μm****	< 1pc/μL			
	Bacteria****	<0.01cfu/mL(<10cfu/L)			
	Rnase****	<1pg/mL			
	Dnase****	<5pg/mL			
	Proteases****	<0.15μg/mL			
	RO rejection	≥99%			
	EDI ion rejection	≥99%			
	Flow rate***	Instantaneous demand 500-1000L/H			
Production rate	300L/H	500L/H	300L/H	500L/H	
Electrical requirement	Electrical voltage	380V ±10%			
	Electrical frequency	50Hz/60Hz			
	Power	380V			
Net weight	Pre-treatment module	200kgs			
	Main host	380kgs			
	500L Water tank	57kgs			
External dimension (HxWxL)	Pre-treatment module	1500×790×660(mm)			
	Main host	1750×1150×780(mm)			
	500L Water tank	2150×700×700(mm)			
	Pipeline connection	3/4 inch			
Packing gross weight	Pre-treatment module	240kgs			
	Main host	430kgs			
	500L water tank	57.5kgs			
Packing dimension (HxWxL)	Pre-treatment module	1650×840×710(mm)			
	Main host	1900×1200×830(mm)			
	500L water tank	2300×750×750(mm)			

* If the tap water contains a high rate of calcium ions and magnesium ion which do not meet the requirement, please use salty box to remove part of calcium ions and magnesium ion in advance

** Resistivity Typically 10-15MΩ.cm at 25 C, Conductivity typically 0.1μS/cm, at 25 C

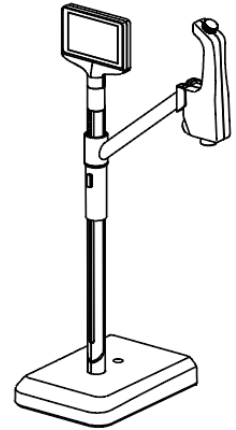
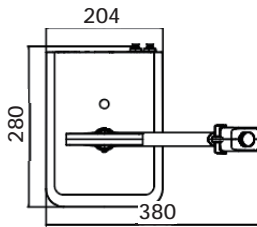
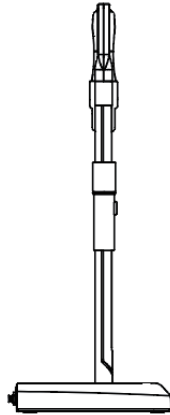
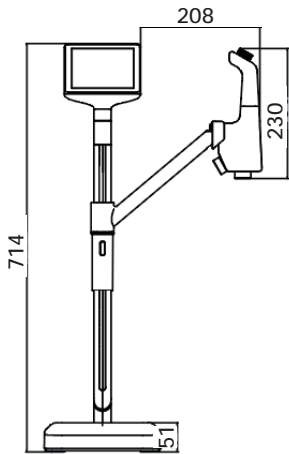
*** Instantaneous demand, water pressure 0.15-0.35MPa

****Feed water quality should meet above requirements

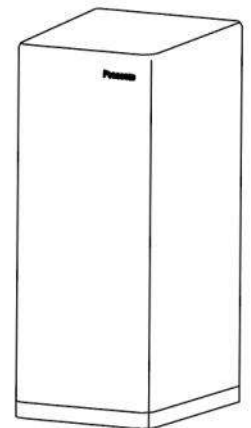
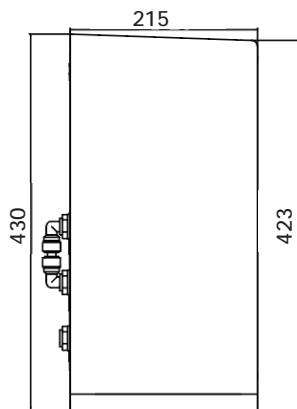
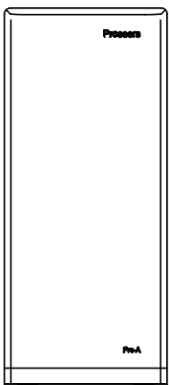
Installation information

(In mm)

Dispenser Arm-Nova-Smart



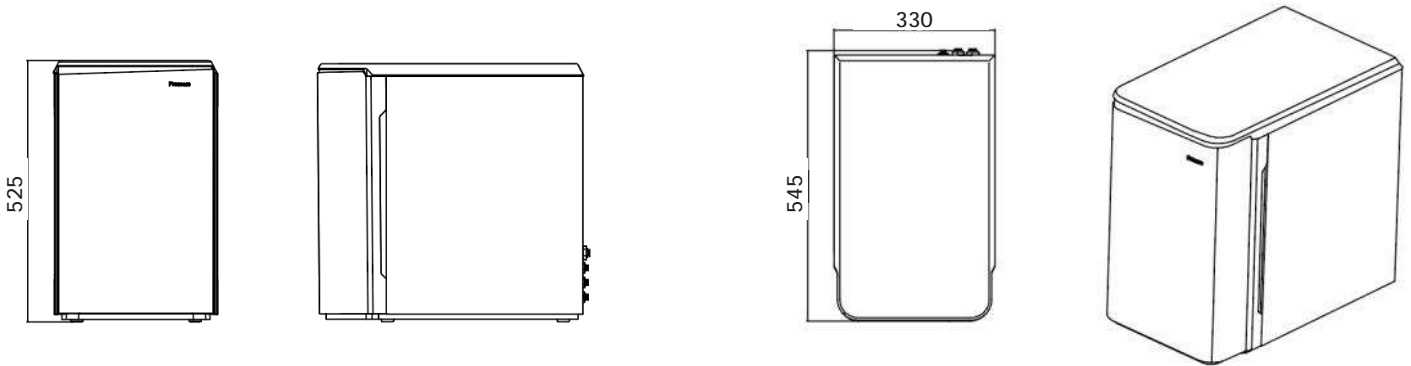
Pretreatment module-All models



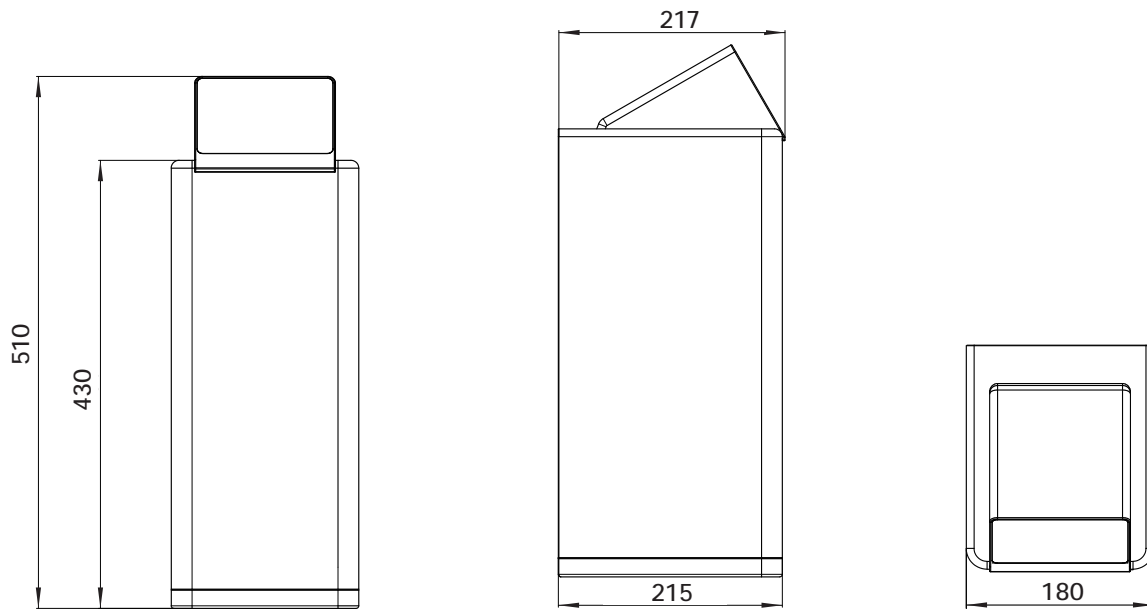
Installation information

(In mm)

*Nova series all-in-one machine
Nova series Type II water system*



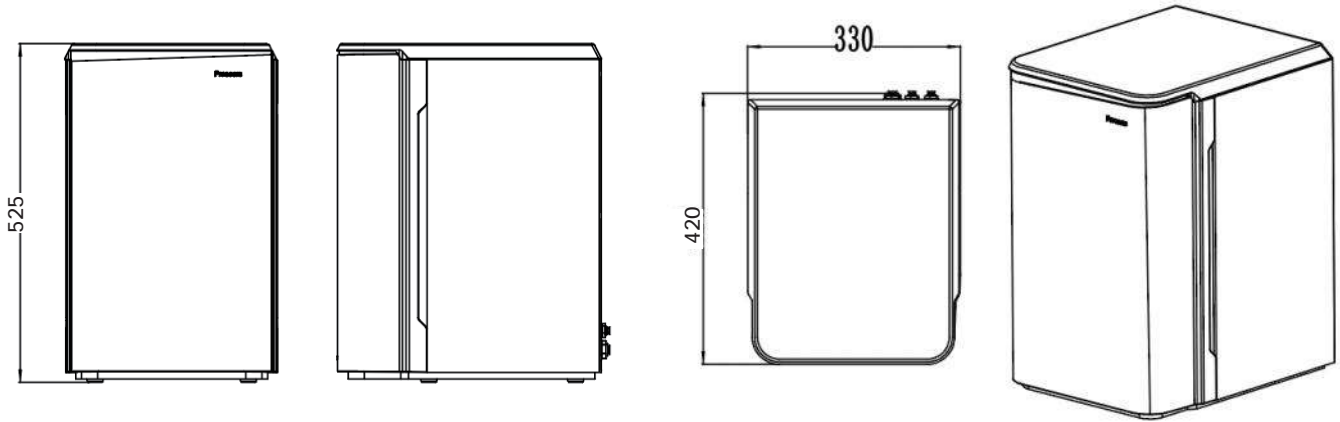
Nova Zero-ion



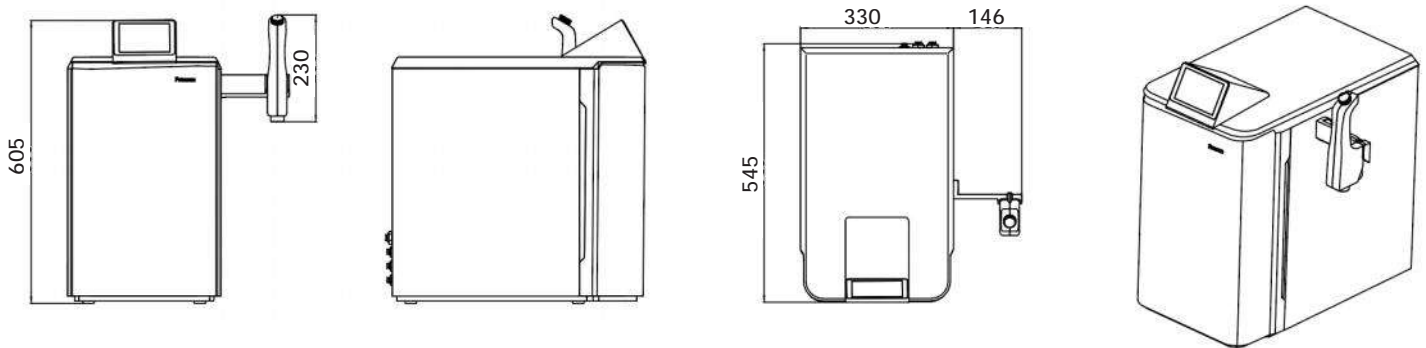
Installation information

(In mm)

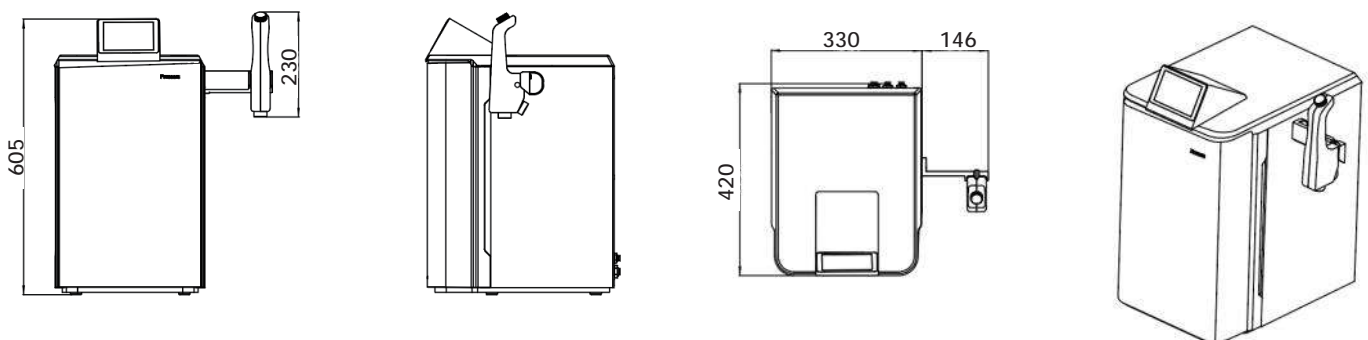
Nova U



Performa/Classic series All-in-one system Performa/Classic series Type II water system



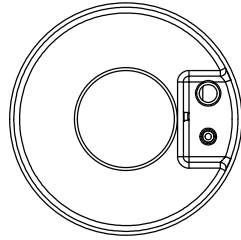
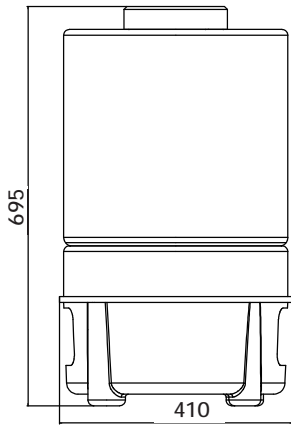
Performa U



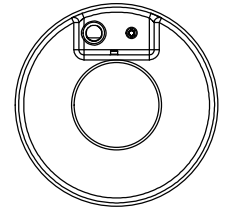
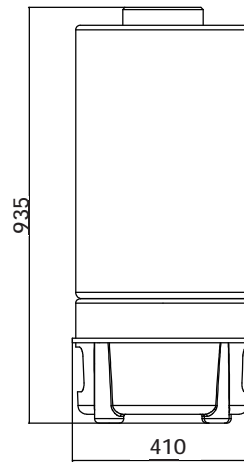
Installation information

(In mm)

Water tank

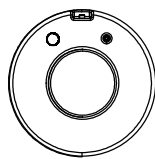
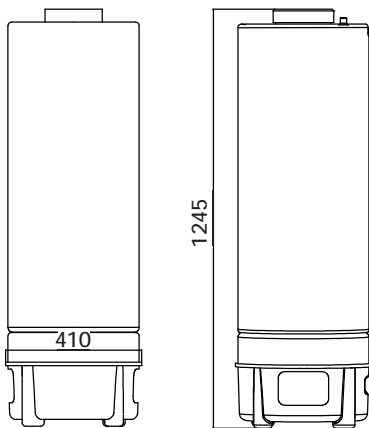


30L

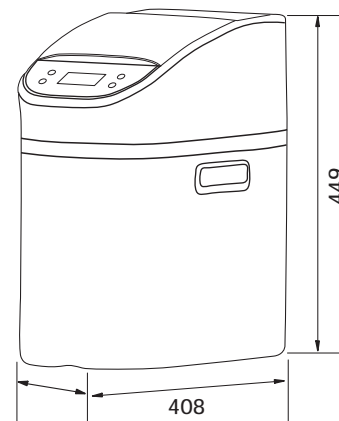


60L

Universal salt softener for all laboratory use models



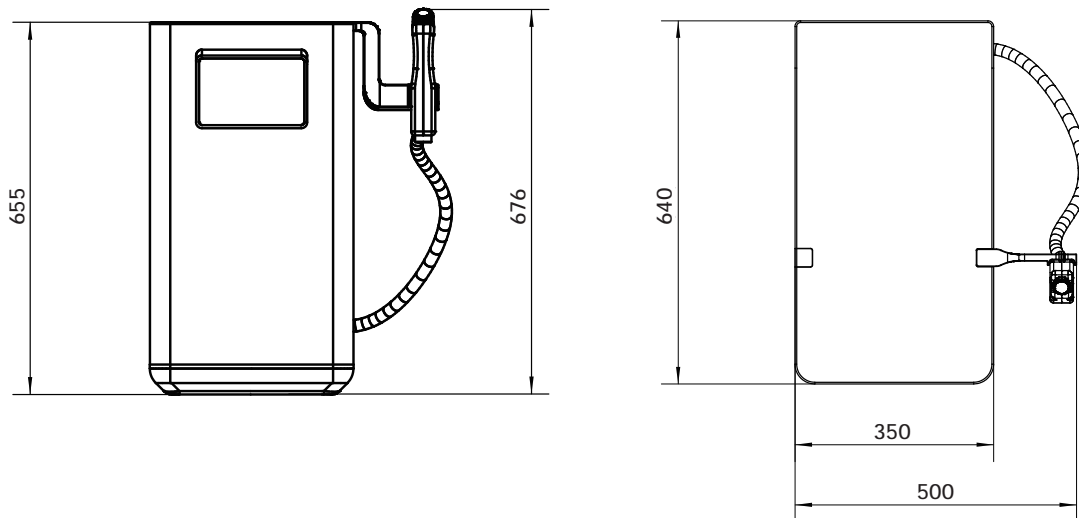
100L



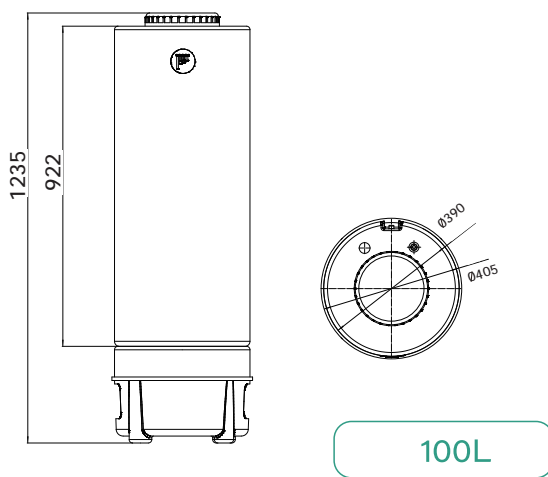
Installation information

(In mm)

*Noble series All-in-one system
Noble series Type II water system*



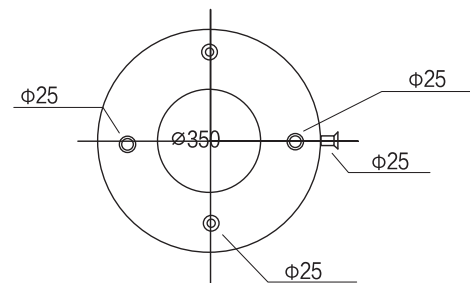
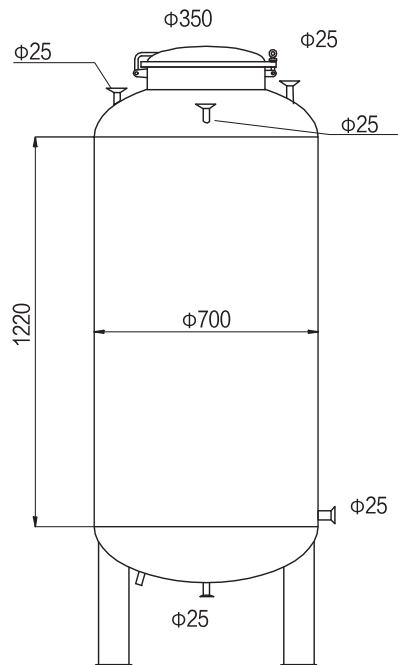
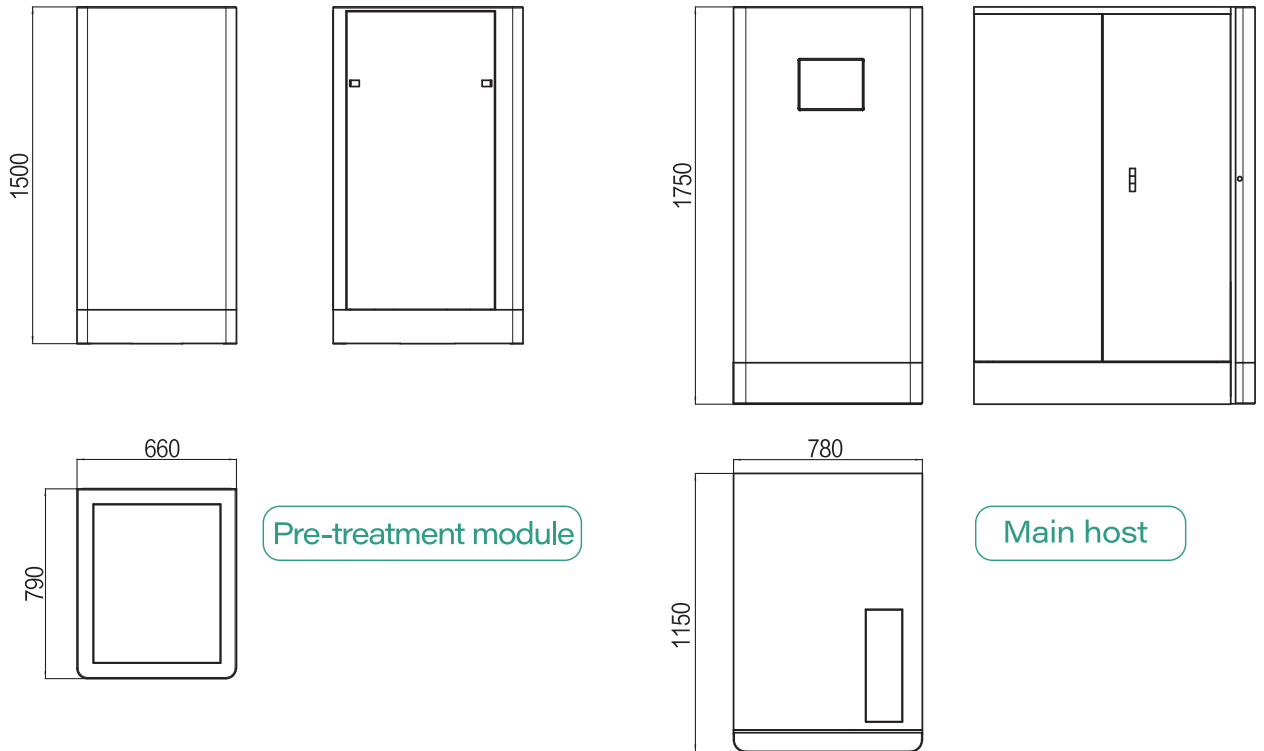
Water tank



Installation information

(In mm)

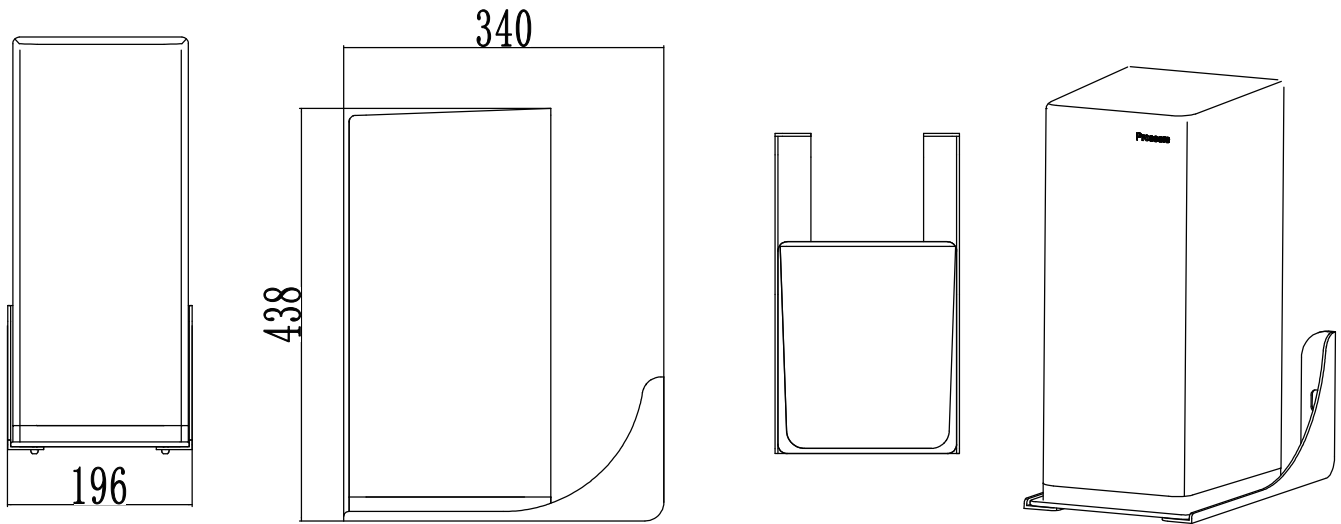
Central high purified water system



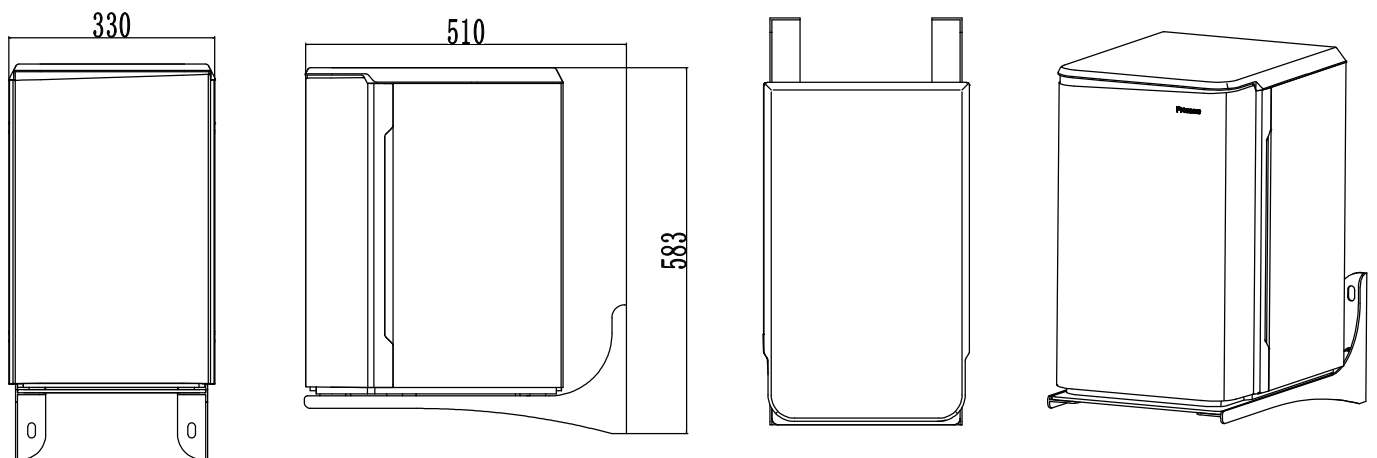
Stainless steel water tank

Wall-mounted installation

(In mm)



Pre-treatment module



Main host



Proseers

Qingdao Innova Bio-Meditech Co., Ltd.

add.: No. 11 ZaoYuan Road, 266121, Qingdao,China

Tel.: +86 532 8789 0634

Email: info@innobiomed.com

Web: www.innovabiomed.com